

Invacare® Escort

en	Walking frame User Manual	2
da	Ganghjælpemiddel Brugsanvisning	5
fi	Kävelyteline Käyttöohje	8
no	Gåstol Bruksanvisning	12
sv	Gåram Bruksanvisning	15
de	Gehgestell Gebrauchsanweisung	18
es	Caminador Manual del usuario	22
fr	Déambulateur Manuel d'utilisation	25
it	Telaio per deambulazione Manuale d'uso	29
nl	Looprek Gebruiksaanwijzing	32
pt	Andadeira Manual de utilização	36
lt	Vaikščiojimo rėmas Naudojimosi instrukcija	39

strack Patienten-
und Pflegebedarf

Strack AG
Ebnatstrasse 125
8200 Schaffhausen

052 630 31 60
www.strack.ch
info@strack.ch



This manual MUST be given to the user of the product.
BEFORE using this product, this manual MUST be read and saved for future reference.



Yes, you can.®

1 General

1.1 Introduction

This user manual contains important information about the handling of the product. To ensure safety when using the product, read the user manual carefully and follow the safety instructions.

Invacare reserves the right to alter product specifications without further notice.

Before reading this document, make sure you have the latest version. You find the latest version as a PDF on the Invacare website.

If you find that the font size in the printed document is difficult to read, you can download the PDF version from the website. The PDF can then be scaled on screen to a font size that is more comfortable for you.

In case of a serious incident with the product, you should inform the manufacturer and the competent authority in your country.

1.2 Symbols in this Document

Symbols and signal words are used in this document and apply to hazards or unsafe practices which could result in personal injury or property damage. See the information below for definitions of the signal words.



WARNING

Indicates a hazardous situation that could result in serious injury or death if it is not avoided.



CAUTION

Indicates a hazardous situation that could result in minor or slight injury if it is not avoided.



IMPORTANT

Indicates a hazardous situation that could result in damage to property if it is not avoided.



Tips and Recommendations

Gives useful tips, recommendations and information for efficient, trouble-free use.

1.3 Compliance

Quality is fundamental to the company's operation, working within the disciplines of ISO 13485.

This product features the CE mark, in compliance with the Medical Device Regulation 2017/745 Class I. The launch date of this product is stated in the CE declaration of conformity.

We are continuously working towards ensuring that the company's impact on the environment, locally and globally, is reduced to a minimum.

We only use REACH compliant materials and components.

1.4 Service Life

The expected service life of this product is five years when used daily and in accordance with the safety instructions, maintenance intervals and correct use, stated in this manual. The effective service life can vary according to frequency and intensity of use.

1.5 Warranty Information

We provide a manufacturer's warranty for the product in accordance with our General Terms and Conditions of Business in the respective countries.

Warranty claims can only be made through the provider from whom the product was obtained.

1.6 Limitation of Liability

Invacare accepts no liability for damage arising from:

- Non-compliance with the user manual
- Incorrect use
- Natural wear and tear
- Incorrect assembly or set-up by the purchaser or a third party
- Technical modifications
- Unauthorised modifications and/or use of unsuitable spare parts

2 Safety

2.1 General Safety Information



WARNING!

Risk of Serious Injury or Damage

Improper use of this product may cause injury or damage.

- If you are unable to understand the warnings, cautions or instructions, contact a health care professional or provider before attempting to use this equipment.
- Do not use this product or any available optional equipment without first completely reading and understanding these instructions and any additional instructional material such as user manual, service manual or instruction sheet supplied with this product or optional equipment.



WARNING!

Risk of Serious Injury

Incorrect use can lead to hazardous situations.

- Do not use the product on stairs or on escalators.
- Do not stand on the product.
- Be careful when walking on sloping or slippery ground or uneven surfaces.
- Avoid walking against obstacles, both forwards and backwards.
- Do not let children play with the product
- Do not sit on the crossbar or use the crossbar as support.



WARNING!

Risk of Injury

Unbalanced or heavy load may lead to overturning

- Do not hang any loads, such as bags, to the frame.



CAUTION!

Risk of Injury

Non-original or wrong parts may affect the function and safety of the product.

- Only use original parts for the product in use.
- Due to regional differences, refer to your local Invacare catalog or website for available options or contact your Invacare distributor. See addresses at the end of this document.



CAUTION!

Risk of First Degree Burns

Parts of the product may heat up, when exposed to high temperatures (above 41° C).

- Be careful if the product is exposed to high temperatures, e.g. direct sunlight.

! IMPORTANT!

- There is a risk of damage due to wear, e.g. corrosion.
- Do not use the product under water, e.g. in pools.
 - Do not use the product in hot areas like saunas.
 - Do not store the product in wet or humid environments.

3 Product Overview

3.1 Intended use

The walking aid is intended to support during walking.

The walking aid is suitable for indoor and outdoor use on even ground.

The intended user is an adult with a maximum user weight as stated on the product label and in chapter 7 *Technical Data*, page 5.

3.2 Indications for Use

Indications

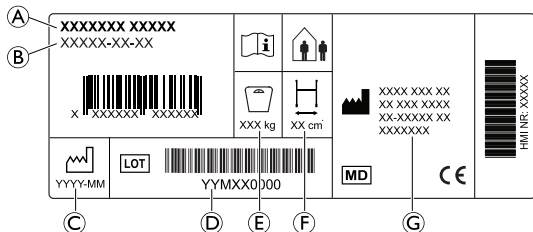
Persons with impaired muscle strength and/or balance, who need additional support whilst walking. The remaining walking and cognitive ability must be sufficient for safe use of a walking aid.

Contraindications

Persons with severe equilibrium disorders or functional perceptual disorders.

3.3 Labels and Symbols on the Product

Identification label



- Ⓐ Product name
- Ⓑ Part number
- Ⓒ Date of manufacture
- Ⓓ LOT number
- Ⓔ Maximum user weight
- Ⓕ Maximum width
- Ⓖ Manufacturer address

Symbols

	European Conformity		Medical Device
	Manufacturer		Read user manual
	Date of manufacture		LOT number
	Maximum width		Maximum user weight
	Indoor / Outdoor use		

4 Usage

4.1 Before Use



CAUTION!

Risk of Injury or Damage to Property

- Before use, verify the general functionality of the product.
- Before use, check the product for any defect.
- Do not use a defective product.

Invacare presume a healthcare professional has made an individual assessment of the user to determine his risk level or therapy requirements. Providers and carers have assessed that the product gives the required support and that its adjustments are appropriate for the user. Carer and user have been appropriately trained by a healthcare professional on how to use the product correctly and safely.

4.2 Adjusting the height



Recommended height

- The handles should be positioned at wrist height when standing straight with relaxed arms. Therapist may suggest different heights depending on specific needs of the client.



Discomfort/Minor bruises

- Be careful of the pinching risk.



1. Press the snap button Ⓐ.
2. Slide the extension up or down until the desired height is achieved.
3. Allow the snap button Ⓐ to click into the next hole. Make sure that the button is fully engaged with an audible “click”.

4.3 Walking

1. Stand between the two side frames and hold both hands on the handles.
2. Stand still and move/slide the walking aid forwards.
3. Take a step forwards while holding the walking aid steady.

4.4 Using leg extensions



WARNING!

Risk of falling

- When using wheeled attachments on the front legs, the rear leg extensions must be adjusted to make the side frames level.
- When applicable, wheeled leg extensions must be installed with the wheels on the outside of the walker/walking frame.



See section “Adjusting the height” for more information.

5 Maintenance

5.1 General Maintenance Information



WARNING!
Risk of Injury

- Maintenance should be done at least once a year.
- Do not use a defective product.
- Do not attempt repairs yourself. For repairs contact your provider.

5.2 Inspection Checklist

To ensure good performance and safety, inspect your product regularly.

- Ensure that all screws and adjustments are properly tightened. (If applicable)
- Ensure that hand grips are tight.
If hand grips are loose do not use the walking aid. Instructions on how to change hand grips can be obtained from your provider or Invacare distributor.
- Inspect the frame and loaded parts for cracks.
- Inspect the wheels' tightness, wear and damage. (If applicable)
- Make sure that the wheels are free of hair, lint and other debris. (If applicable)
- Ensure that the rubber tips and/or plastic glide tips are not ripped, worn or missing. (If applicable)

5.3 Cleaning and Disinfection

General Safety Information



CAUTION!
Risk of Contamination

- Take precautions for yourself and use appropriate protective equipment.



IMPORTANT!

- Wrong fluids or methods can harm or damage the product.
- All cleaning agents and disinfectants used must be effective, compatible with one another and must protect the materials they are used to clean.
 - Never use corrosive fluids (alkalines, acid etc.) or abrasive cleaning agents. We recommend an ordinary household cleaning agent such as dishwashing liquid, if not specified otherwise in the cleaning instructions.
 - Never use a solvent (cellulose thinner, acetone etc.) that changes the structure of the plastic or dissolves the attached labels.
 - Always make sure that the product is completely dried before taking it into use again.



For cleaning and disinfection in clinical or long-term care environments, follow your in-house procedures.

Cleaning Intervals



IMPORTANT!

- Regular cleaning and disinfection enhances smooth operation, increases the service life and prevents contamination.
- Clean and disinfect the product
- regularly while it is in use,
 - before and after any service procedure,
 - when it has been in contact with any body fluids,
 - before using it for a new user.

Cleaning Instructions

The product can be washed in a washing machine or by hand.

When using a high-pressure cleaner or an ordinary jet of water, do not aim the jet towards bearings, draining holes or labels.

The maximum cleaning temperature is 60 °C. Do not use a steam cleaner.

1. Clean the walking aid with a damp cloth and mild detergent.
2. Clean the wheels with a brush (no wire brush).
3. After washing, wipe the product dry.

Disinfection

- Wipe down all generally accessible surfaces with disinfectant.



Information on recommended disinfectants and methods can be found on <https://vah-online.de/en/for-users>.

6 After Use

6.1 Disposal

Be environmentally responsible and recycle this product through your recycling facility at its end of life.

Disassemble the product and its components, so the different materials can be separated and recycled individually.

The disposal and recycling of used products and packaging must comply with the laws and regulations for waste handling in each country. Contact your local waste management company for information.

6.2 Reconditioning

This product is suitable for reuse. To recondition the product for a new user, carry out the following actions:

- Inspection
- Cleaning and disinfection

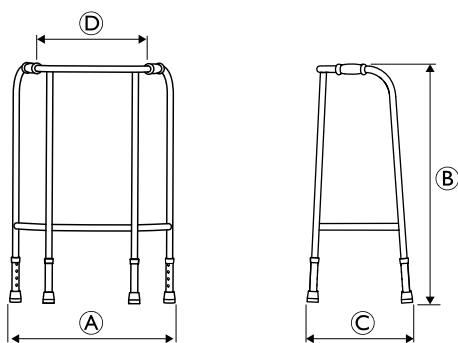
For detailed information, see *5 Maintenance, page 4*.

Make sure that the user manual is handed over with the product.

If any damage or malfunction is detected, do not reuse the product.

7 Technical Data

7.1 Dimensions and Weights



	Escort P435B
Total width A	620–630 mm
Total height B	770–850 mm
Total depth C	390–400 mm
Width between handles D	360 mm
Weight	2.0 kg
Max. user weight	130 kg

All dimensions are subject to certain tolerances.

7.2 Material

Frame	Anodized aluminium
Handgrips	TPE
Wheels	Polypropylene with treads of PVC
Screws	Steel, rust protected

1 Generelt

1.1 Indledning

Denne brugsanvisning indeholder vigtige anvisninger om håndtering af produktet. Af sikkerhedsmæssige årsager, bør brugsanvisningen læses grundigt, og sikkerhedsanvisningerne følges.

Invacare forbeholder sig retten til at ændre produktspecifikationer uden forudgående varsel.

Før denne manual læses, skal det sikres, at det er den nyeste version. Den nyeste version findes i PDF-format på Invacares hjemmeside.

Hvis du synes, at skriftstørrelsen i det trykte dokument er svær at læse, kan du hente PDF-versionen fra hjemmesiden. PDF-versionen kan derefter skaleres på skærmen til en skriftstørrelse, der passer dig bedre.

I tilfælde af en alvorlig hændelse i forbindelse med produktet, skal du informere producenten og den relevante myndighed i dit land.

1.2 Symboler i denne manual

I denne manual anvendes symboler og signalord til angivelse af faresituationer eller u hensigtsmæssig anvendelse, som kan medføre person- eller produktskader. Se oplysningerne nedenfor for at få en definition af symbolerne.



ADVARSEL

Angiver en potentielt farlig situation, som kan resultere i alvorlig kvæstelse eller dødsfald, hvis den ikke undgås.



FORSIGTIG

Angiver en potentielt farlig situation, som kan resultere i en mindre eller lille kvæstelse, hvis den ikke undgås.



VIGTIGT

Angiver en potentielt farlig situation, som kan resultere i beskadigelse af ejendom, hvis den ikke undgås.



Tips og anbefalinger

Giver nyttige tips, anbefalinger og oplysninger, der sikrer en effektiv, problemfri anvendelse.

1.3 Overensstemmelse

Kvalitet er afgørende for virksomhedens virke, og vi arbejder ud fra ISO 13485.

Dette produkt er CE-mærket i overensstemmelse med forordningen 2017/745 om medicinsk udstyr i klasse I. Lanceringsdatoen for dette produkt fremgår af CE-overensstemmelseserklæringen.

Vi arbejder løbende på at sikre, at virksomhedens påvirkning af miljøet, lokalt og globalt, reduceres til et minimum.

Vi anvender udelukkende materialer og komponenter, der overholder REACH-direktivet.

1.4 Servicelevetid

Den forventede servicelevetid for dette produkt er fem år, når det anvendes dagligt og i overensstemmelse med sikkerhedsanvisningerne, vedligeholdelsesintervallerne og den korrekte brug, der fremgår af denne brugsanvisning. Den effektive servicelevetid kan variere afhængigt af hyppighed og intensitet af brugen.

1.5 Garantioplysninger

Vi yder en producentgaranti på produktet i overensstemmelse med vores almindelige forretningsbetingelser og vilkår i de respektive lande.

Der kan kun rejses garantikrav gennem den forhandler, som produktet er købt hos.

1.6 Ansvarsbegrænsning

Invacare påtager sig ikke ansvaret for skader, der skyldes:

- Manglende overholdelse af brugsanvisningen
- Forkert anvendelse
- Almindeligt slid
- Forkert samling eller indstilling foretaget af køber eller en tredjepart
- Tekniske ændringer
- Uautoriserede ændringer og/eller brug af uegnede reservedele

2 Sikkerhed

2.1 Generelle sikkerhedsanvisninger



ADVARSEL!

Risiko for alvorlig kvæstelse eller materiel skade

Forkert brug af dette produkt kan medføre personskade eller materiel skade.

- Hvis du ikke kan forstå advarslerne, forsigtighedshenvisningerne eller anvisningerne, bedes du kontakte en sundhedsprofessionel medarbejder eller leverandør, inden du forsøger at tage produktet i brug.
- Undlad at bruge dette produkt eller nogen former for ekstraudstyr uden først at have læst og forstået denne vejledning og andet instruktionsmateriale som f.eks. brugsanvisningen, servicemanualer eller instruktionsblade, der leveres sammen med dette produkt eller ekstraudstyret.



ADVARSEL!

Risiko for alvorlig kvæstelse

Forkert brug kan føre til farlige situationer.

- Undgå at bruge produktet på trapper eller rulletrapper.
- Stå ikke på produktet.
- Vær forsigtig, når du går på skrånende eller glat terræn eller ujævne overflader.
- Undgå at gå imod forhindringer, både fremad og bagud.
- Lad ikke børn lege med produktet
- Undlad at sidde på tværstangen eller bruge den som støtte.



ADVARSEL!

Risiko for personskade

Ubalanceret eller tung belastning kan medføre, at du vælter

- Hæng ikke genstande, fx tasker, på rammen.



FORSIGTIG!

Risiko for kvæstelser

Uoriginalt eller forkerte dele kan påvirke produktets funktion og sikkerhed.

- Brug kun originale dele til det produkt, der anvendes.
- På grund af regionale forskelle henvises der til dit lokale Invacare-katalog eller Invacare-hjemmesiden angående det tilgængelige ekstraudstyr. Ellers kan du kontakte din lokale Invacare-repræsentant. Adresseerne findes i slutningen af dette dokument.



FORSIGTIG!

Risiko for førstegradsforbrændinger

Dele af produktet kan blive varme, hvis de udsættes for høje temperaturer (over 41 °C).

- Vær forsigtig, hvis produktet udsættes for høje temperaturer, fx direkte sollys.



VIGTIGT!

Der er risiko for beskadigelse på grund af slitage, f. eks. korrosion.

- Undlad at bruge produktet under vand, fx i svømmebassiner.
- Brug ikke produktet i varme omgivelser som fx saunaer.
- Produktet må ikke opbevares i våde eller fugtige omgivelser.

3 Produktoversigt

3.1 Tiltænkt anvendelse

Ganghjælpemidlet er beregnet til yde støtte under gang.

Ganghjælpemidlet er egnet til indendørs og udendørs brug på jævnt underlag.

Den tiltænkte bruger er et voksent menneske med en maksimal brugervægt som anført på produktmærkaten og i afsnittet 7 *Tekniske Data*, side 8.

3.2 Indikationer for brug

Indikationer

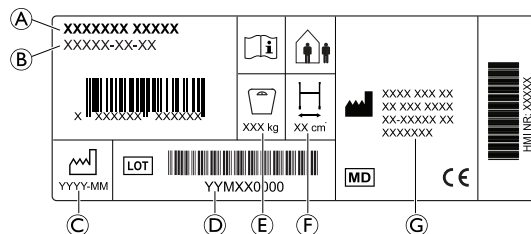
Personer med nedsat muskelstyrke og/eller balance, som har brug for ekstra støtte, mens de går. Brugerens restgangevne og kognitive evne skal være tilstrækkelig til sikker brug af et ganghjælpemiddel.

Kontraindikationer

Personer med alvorlige balanceforstyrrelser eller funktionel svækkelse af opfattelsesevnen.

3.3 Mærkater og symboler på produktet

Produktmærkat



- Ⓐ Produktnavn
- Ⓑ Delnummer
- Ⓒ Produktionsdato
- Ⓓ Partinummer
- Ⓔ Maksimal brugervægt
- Ⓕ Maksimal bredde
- Ⓖ Producentens adresse

Symboler

	Overholdelse af EU-krav		Medicinsk udstyr
	Producent		Læs brugsanvisning
	Fremstillingsdato		LOT-nummer
	Maksimal bredde		Maks. brugervægt
	Indendørs/udendørs brug		

4 Brug

4.1 Før brug



FORSIGTIG!

Risiko for personskade eller produktskade

- Kontrollér, at produktet fungerer normalt, før det tages i brug.
- Kontrollér produktet for fejl, før det tages i brug.
- Brug ikke et defekt produkt.

Invacare går ud fra, at en sundhedsprofessionel har vurderet brugeren med henblik på vedkommendes risikoniveau eller behov for behandling. Både sundhedsudbydere og plejere har vurderet, at produktet yder den nødvendige støtte, og at dets indstillinger er passende for brugeren. Plejeren og brugeren er blevet oplært af en sundhedsprofessionel i korrekt og sikker brug af produktet.

4.2 Højdeindstilling



Anbefalet højde

- Håndtagene bør placeres i højde med håndleddene når brugeren står i en ret positur med afslappede arme. Terapeuten kan foreslå forskellige højder afhængigt af kundens specifikke behov.



Ubehag/mindre blå mærker

- Vær forsigtig overfor klemmerisiko.



1. Tryk på fjederknappen (A).
2. Skub forlængelsen op eller ned, indtil den ønskede højde er opnået.
3. Lad fjederknappen (A) klikke sig fast i det næste hul. Sørg for, at knappen er gået i hak med et hørbart "klik".

4.3 Gang

1. Stå mellem de to siderammer, og hold begge hænder på håndtagene.
2. Stå stille, og bevæg/skub ganghjælpe midlet fremad.
3. Tag et skridt fremad, mens du holder ganghjælpe midlet stabilt.

4.4 Brug af benforlængelser



ADVARSEL!

Risiko for at falde

- Ved brug af hjulbeslag på forbenene, skal de bageste benforlængelser justeres for at siderammerne er på samme niveau.
- Når det er relevant, skal hjulbenforlænger monteres med hjulene på ydersiden af gangstativet.



Se afsnittet "Justering af højden" for mere information.

5 Vedligeholdelse

5.1 Oplysninger om generel vedligeholdelse



ADVARSEL!

Risiko for personskade

- Der skal som minimum foretages vedligeholdelse en gang om året.
- Brug ikke et defekt produkt.
- Forsøg ikke selv at reparere gangstativet. Kontakt din leverandør, hvis du har brug for reparation.

5.2 Kontrolliste for eftersyn

For at sikre god ydeevne og sikkerhed, skal du tjekke dit produkt jævnligt.

- Sørg for, at alle skruer og fastgørelseskomponenter er spændt rigtigt. (Hvis relevant)
- Sørg for, at håndgrebene er strammet. Hvis håndgrebet er løst, må du ikke bruge ganghjælpe midlet. Oplysninger om hvordan håndgrebene udskiftes kan fås hos din leverandør eller Invacare-forhandler.
- Kontrollér rammen og de belastede dele for revner.
- Kontrollér om hjulene er spændt, og om der er slitage og skader. (Hvis relevant)
- Sørg for at holde hjulene fri for hår, fnuller og andre fremmedlegemer. (Hvis relevant)
- Sørg for, at dupskoene og/eller plastglidedupperne ikke er revnede, slidte eller mangler. (Hvis relevant)

5.3 Rengøring og desinfektion

Generelle sikkerhedsanvisninger



FORSIGTIG!

Risiko for smitte

- Tag forholdsregler, og brug passende beskyttelsesudstyr.



VIGTIGT!

- Forkerte væsker eller metoder kan beskadige produktet.
- De anvendte rengørings- og desinfektionsmidler skal være effektive og kunne anvendes sammen, og de må ikke angribe de materialer, der rengøres.
- Brug aldrig korroderende væsker (basiske rengøringsmidler, syre osv.) eller slibende rengøringsmidler. Vi anbefaler et almindeligt husholdningsrengøringsmiddel som f.eks. opvaskesæbe, hvis der ikke angives andet i rengøringsanvisningerne.
- Brug aldrig opløsningsmidler (celluloseforynder, acetone osv.), der ændrer plastens struktur eller opløser de påsatte mærkater.
- Sørg altid for, at produktet er helt tørt, før det tages i brug igen.



For rengøring og desinfektion i kliniske omgivelser eller omgivelser til langvarig pleje skal de pågældende interne procedurer følges.

Rengøringsintervaller



VIGTIGT!

Regelmæssig rengøring og desinficering fremmer problemfri drift, forlænger servicelevetiden og forebygger kontaminering.

Rengør og desinficer produktet

- regelmæssigt, mens det er i brug,
- før og efter enhver serviceprocedure,
- når det har været i kontakt med kropsvæsker,
- før det bruges til en ny bruger.

Rengøringsinstruktioner

Produktet kan vaskes i en vaskemaskine eller i hånden.

Hvis du bruger en højtryksrenser eller en almindelig vandstråle, må du ikke sigte mod lejer, drænhuller eller mærkater.

Den maksimale rengøringsstemperatur er 60 °C. Brug ikke damprenser.

1. Rengør ganghjælpe midlet med en fugtig klud og et mildt rengøringsmiddel.
2. Rengør svinghjulene med en børste (ikke en stålbørste).
3. Tør produktet af efter vask.

Desinficering

- Aftør alle generelt tilgængelige overflader med et desinficerende middel.

6 Efter brug

6.1 Bortskaffelse

Vær miljøbevidst, og indlever dette produkt til genbrug til den lokale genbrugsstation, når dets levetid er opbrugt.

Skil produktet og dens komponenter ad, så de forskellige materialer kan adskilles og genbruges hver for sig.

Bortskaffelse og genanvendelse af brugte produkter og emballagematerialer skal overholde love og forskrifter for affaldshåndtering i det enkelte land. Kontakt den lokale renovationsmyndighed for at få yderligere oplysninger.

6.2 Eftersyn

Dette produkt er egnet til brug flere gange. Følgende handlinger skal udføres i forbindelse med istandsættelse af produktet til en ny bruger:

- Eftersyn
- Rengøring og desinfektion

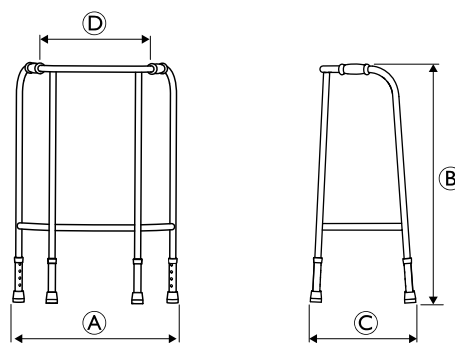
Se 5 *Vedligeholdelse*, side 7 for mere detaljerede oplysninger.

Sørg for, at brugsanvisningen bliver overdraget sammen med produktet.

Undlad at genbruge produktet, hvis der konstateres skader eller fejl.

7 Tekniske Data

7.1 Mål og vægt



	Escort P435B
Bredde i alt (A)	620-630 mm
Samlet højde (B)	770-850 mm
Samlet dybde (C)	390-400 mm
Bredde mellem håndtag (D)	360 mm
Vægt	2.0 kg
Maks. brugervægt	130 kg

Alle mål kan variere en smule.

7.2 Materiale

Ramme	Anodiseret aluminium
Håndgreb	TPE
Hjul	Polypropylen med PVC-materiale
Skruer	Stål, rustbeskyttede

1 Yleistä

1.1 Johdanto

Tämä käyttöopas sisältää tuotteen käsittelyä koskevia tärkeitä tietoja. Lue käyttöopas huolellisesti läpi ja noudata turvallisuusohjeita, jotta tuotteen käyttö olisi turvallista.

Invacare varaa oikeuden muuttaa tuotteiden teknisiä tietoja ilman erillistä ilmoitusta.

Varmista ennen asiakirjan lukemista, että käytössäsi on sen viimeisin versio. Viimeisin versio on saatavilla PDF-tiedostona Invacaren verkkosivuilta.

Jos painettu asiakirja on kirjasinkoon vuoksi vaikealukuinen, voit ladata verkkosivustosta PDF-version. PDF-tiedoston voi suurentaa näytössä helpommin luettavaan kokoon.

Jos tapahtuu vakava, tuotteeseen liittyvä onnettomuus, ilmoita valmistajalle ja maasi valtuutetulle viranomaiselle.

1.2 Tässä käyttöoppaassa käytetyt symbolit

Tässä oppaassa käytetään signaalisanoja, jotka viittaavat vaaroihin tai turvattomiin käytäntöihin, jotka saattavat aiheuttaa henkilö- tai omaisuusvahinkoja. Katso alta lisätietoja signaalisanojen määritelmästä.



VAROITUS

Osoittaa vaarallisen tilanteen, joka voi johtaa vakavaan vammaan tai kuolemaan, jos sitä ei vältetä.



HUOMIO

Osoittaa vaarallisen tilanteen, joka voi johtaa pieneen tai lievään vammaan, jos sitä ei vältetä.

TÄRKEÄÄ



Osoittaa mahdollisesti vaarallisen tilanteen. Jos sitä ei vältetä, se saattaa aiheuttaa omaisuusvahingon.



Vihjeet ja suositukset

Antaa hyödyllisiä vihjeitä, suosituksia ja tietoa tehokkaasta ja ongelmattomasta käytöstä.

1.3 Yhteensopivuus

Yhtiömme toiminnalle keskeistä on laatu, ja yhtiö noudattaakin ISO 13485 -standardin vaatimuksia.

Tässä tuotteessa on CE-merkki lääkintälaitteita koskevan asetuksen 2017/745 luokan I vaatimusten mukaisesti. Tämän tuotteen julkaisupäivämäärä on mainittu CE-vaatimustenmukaisuusvakuutuksessa.

Pyrimme jatkuvasti varmistamaan, että yrityksen ympäristövaikutus on sekä paikallisesti että maailmanlaajuisesti mahdollisimman vähäinen.

Käytämme vain REACH-järjestelmän mukaisia materiaaleja ja osia.

1.4 Käyttöikä

Tämän tuotteen odotettavissa oleva käyttöikä on viisi vuotta, kun sitä käytetään päivittäin tässä oppaassa ilmoitettujen turvallisuusohjeiden ja käyttötarkoituksen mukaan. Tehokas käyttöikä voi vaihdella sen mukaan, miten usein ja voimakkaasti tuotetta käytetään.

1.5 Takuutiedot

Annamme valmistajan takuun tuotteelle yleisten liiketoimintaehtojemme mukaisesti vastaavissa maissa.

Takuuvaatimuksia voi tehdä vain sen myyjän kautta, jolta tuote ostettiin.

1.6 Rajoitettu vastuu

Invacare ei vastaa seuraavista johtuvista vahingoista:

- käyttöoppaan noudattamatta jättäminen
- väärä käyttö
- luonnollinen kuluminen
- ostajan tai kolmannen osapuolen toteuttama väärä kokoonpano tai asennus
- tekniset muutokset
- luvattomat muutokset ja/tai soveltumattomien varaosien käyttö.

2 Turvallisuus

2.1 Yleisiä turvallisuustietoja



VAROITUS!

Vakavan vamman tai vaurion vaara

Tämän tuotteen vääränlainen käyttö saattaa aiheuttaa vamman tai vahingon.

- Jos et ymmärrä varoituksia, huomautuksia tai ohjeita, ota yhteyttä terveydenhuollon ammattilaiseen tai toimittajaan ennen laitteen käyttämistä.
- Älä käytä tätä tuotetta tai siihen saatavilla olevia lisävarusteita ennen kuin olet lukenut kokonaan nämä ohjeet ja mahdolliset lisäohjeet, kuten käyttöopas, huolto-oppaat ja ohjelehtiset, jotka on toimitettu tämän tuotteen tai lisävarusteen mukana, ja ymmärtänyt ne.



VAROITUS!

Vakavan vamman vaara

Epäsianmukainen käyttö voi aiheuttaa vaarallisia tilanteita.

- Älä käytä tuotetta portaissa tai liukuportaissa.
- Älä seiso tuotteen päällä.
- Ole varovainen, kun kävelet kaltevalla, liukkaalla tai epätasaisella alustalla.
- Vältä esineisiin törmäämistä sekä eteen- että taaksepäin kuljettaessa.
- Älä anna lasten leikkiä tuotteella
- Älä istu poikkitagolla äläkä käytä sitä tukena.



VAROITUS!

Loukkaantumiswaara

Epätasapainoinen tai raskas kuorma voi saada apuvälineen kaatumaan.

- Älä ripusta mitään kuormia, kuten kasseja, apuvälineen runkoon.



HUOMIO!

Loukkaantumiswaara

Muut kuin alkuperäiset osat tai väärät osat voivat vaikuttaa tuotteen toimintaan ja turvallisuuteen.

- Käytä vain tuotteen alkuperäisiä osia.
- Katso alueellasi saatavilla olevat lisävarusteet paikallisesta Invacare-kuvastosta tai verkkosivustosta tai ota yhteyttä paikalliseen Invacare-edustajaan. Osoitteet ovat tämän asiakirjan lopussa.



HUOMIO!

Ensimmäisen asteen palovammojen vaara

Tuotteen osat voivat lämmetä, kun ne altistuvat korkeille lämpötiloille (yli 41 °C).

- Ole varovainen, jos tuote altistuu ääriämpötiloille, kuten suoralle auringonvalolle.



TÄRKEÄÄ!

Mahdollisesti vaurioita aiheuttavan kulumisen, kuten korroosion, vaara.

- Älä käytä tuotetta veden alla, esimerkiksi altaassa.
- Älä käytä tuotetta kuumissa tiloissa, esimerkiksi saunassa.
- Tuotetta ei saa säilyttää märissä tai kosteissa ympäristöissä.

3 Tuotteen yleiskuvaus

3.1 Käyttötarkoitus

Kävelytuki on tarkoitettu kävelyn apuvälineeksi.

Kävelytukea voi käyttää sekä sisätiloissa että ulkona tasaisessa maastossa.

Käyttötarkoituksen mukainen käyttäjä on aikuinen, ja hänen enimmäispainonsa ilmoitetaan tuotteen merkinnöissä ja luvussa 7 *Tekniset Tiedot, sivu 11*.

3.2 Käyttöaiheet

Käyttöaiheet

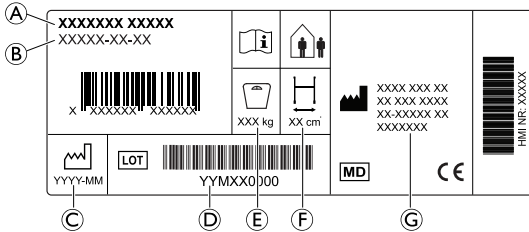
Lihaskvoimaltaan ja/tai tasapainoltaan heikot henkilöt, jotka tarvitsevat lisätukea kävellessään. Jäljellä olevan kävelykyvyn ja kognitiivisten kykyjen on riitettävä kävelytelineen turvalliseen käyttöön.

Vasta-aiheet

Henkilöt, joilla on vaikeita tasapainohäiriöitä tai toiminnallisia havaintokyvyn häiriöitä.

3.3 Tuotteen merkinnät ja symbolit

Tietokilpi



- | | |
|------------------|---------------------------|
| Ⓐ Tuotteen nimi | Ⓔ Käyttäjän enimmäispaino |
| Ⓑ Osanumero | Ⓕ Enimmäisleveys |
| Ⓒ Valmistuspäivä | Ⓖ Valmistajan osoite |
| Ⓓ Eränumero | |

Symbolit

	Euroopan vaatimustenmukaisuus		Lääkinnällinen laite
	Valmistaja		Lue käyttöopas
	Valmistuspäivä		LOT-numero
	Enimmäisleveys		Käyttäjän enimmäispaino
	Sisä-/ulkokäyttöön		

4 Käyttö

4.1 Ennen käyttöä



HUOMIO!

Henkilövamman tai omaisuusvahingon vaara

- Ennen käyttöä varmista tuotteen yleinen toimivuus.
- Tarkista tuote ennen käyttöä vikojen varalta.
- Älä käytä viallista tuotetta.

Invacare olettaa, että terveydenhuoltoalan ammattihenkilö on arvioimalla käyttäjän määrittänyt tämän riskitason tai hoidon tarpeet. Toimittajat ja hoitajat ovat arvioineet tuotteen antavan riittävää tukea ja soveltuvan säädöiltään käyttäjälle. Terveydenhuoltoalan ammattihenkilö on antanut hoitajalle ja käyttäjälle asianmukaiset ohjeet tuotteen oikeasta ja turvallisesta käytöstä.

4.2 Korkeuden säätäminen



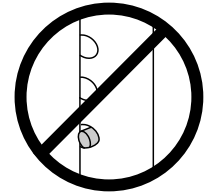
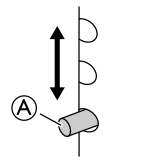
Suosittelun korkeus

- Kahvat tulee asettaa ranteiden korkeudelle käyttäjän seistessä suorassa asennossa käsivarret rentoina. Fysioterapeutti voi ehdottaa eri kahvan korkeuksia asiakkaan erityistarpeiden perusteella.



Epämukavuus / pieniä ruhjeita

- Varo puristumista.



1. Paina painiketta Ⓐ.
2. Siirrä jatko-osaa ylös tai alas, kunnes korkeus on halutulla tasolla.
3. Anna painikkeen Ⓐ napsahtaa seuraavaan reikään. Varmista, että painike on täysin kiinnittynyt siten, että siitä kuuluu napsahdus.

4.3 Kävely

1. Seiso sivurunkojen välissä ja pidä molemmilla käsillä kiinni kahvoista.
2. Seiso paikallasi ja siirrä/liu'uta kävelytukea eteenpäin.
3. Ota askel eteenpäin ja pidä kävelytukea paikallaan.

4.4 Jalkapidennysten käyttäminen



VAROITUS!

Kaatumisvaara

- Kun käytät etujaloissa pyöriä, takajalkojen pidennyksiä täytyy säätää, jotta sivurungot ovat suorassa.
- Mahdolliset pyörälliset jalkapidennykset täytyy asentaa niin, että pyörät ovat kävelytelineen ulkopuolella.



Katso lisätietoa osasta Korkeuden säätäminen.

5 Huolto

5.1 Yleisiä huoltotietoja



VAROITUS!

Loukkaantumisvaara

- Huolto tulee suorittaa vähintään kerran vuodessa.
- Älä käytä viallista tuotetta.
- Älä yritä korjausten tekoa itse! Ota yhteyttä toimittajaan korjauksia varten.

5.2 Tarkistusluettelo

Hyvän suoritus- ja turvallisuustason säilyttämiseksi tarkista tuote säännöllisesti.

- ❑ Varmista, että kaikki ruuvit ja säätöruuvit ovat tiukasti kiinni. (Tarvittaessa.)
- ❑ Varmista, että kahvat ovat tiukalla. Älä käytä kävelytelinettä, jos kahvat ovat löysät. Ohjeita kahvojen vaihtamisesta on saatavilla toimittajaltasi tai Invacare-jälleenmyyjältä.
- ❑ Tarkista runko ja kuormitusosat murtumien varalta.
- ❑ Tarkista pyörien tiukkuus, kulumisaste ja mahdolliset vauriot. (Tarvittaessa.)
- ❑ Varmista, ettei pyörissä ole hiuksia, nukkaa tai muita epäpuhtauksia. (Tarvittaessa.)
- ❑ Varmista, etteivät kumipäät ja/tai muoviset liukupäät ole haljonneet, kuluneet tai pois paikaltaan. (Tarvittaessa.)

5.3 Puhdistaminen ja desinfiointi

Yleisiä turvallisuustietoja



HUOMIO!

Kontaminaatio-riski

- Ole varovainen tuotteen kanssa ja käytä asianmukaisia suojavarusteita.



TÄRKEÄÄ!

Väärät nesteet tai menetelmät voivat vahingoittaa tai vaurioittaa tuotetta.

- Kaikkien käytettyjen puhdistusaineiden ja desinfiointiaineiden täytyy olla tehokkaita ja yhteensopivia toistensa kanssa ja niiden täytyy suojata materiaaleja, joita niillä puhdistetaan.
- Älä koskaan käytä syövyttäviä nesteitä (emäksiä, happoa jne.) tai hankaavia puhdistusaineita. Suosittelemme tavallista kotitalouspuhdistusainetta, kuten astianpesuainetta, ellei puhdistusohjeissa ole muuta määritelyä.
- Älä koskaan käytä liuotinta (selluloosaohenninta, asetonia jne.), joka muuttaa muovin rakennetta tai irrottaa kiinnitetyt merkinnät.
- Varmista aina, että tuote on täysin kuivattu, ennen kuin se otetaan uudelleen käyttöön.



Noudata kliinisissä tai pitkäaikaisissa hoitoympäristöissä laitoksesi puhdistusta ja desinfiointia koskevia käytäntöjä.

Puhdistusvälit



TÄRKEÄÄ!

Säännöllinen puhdistaminen ja desinfiointi edistää sujuvaa toimintaa, pidentää käyttöikää ja estää kontaminaatioita.

Puhdista ja desinfioi tuote

- säännöllisesti sen ollessa käytössä
- ennen jokaista huoltotoimenpidettä ja sen jälkeen
- kun se on ollut kontaktissa ruumiinnesteisiin
- ennen sen käyttämistä uudelle käyttäjälle.

Puhdistusohjeet

Laitteen voi pestä pesukoneessa tai käsin.

Käytettäessä suurpaineista puhdistinta tai tavallista vesisuihkua älä suuntaa suihkua laakereita, poistoaukkoja tai merkintöjä kohti.

Enimmäispuhdistuslämpötila 60 °C. Älä käytä höyrypesua.

1. Puhdista kävelyteline kostealla liinalla ja miedolla puhdistusaineella.
2. Puhdista renkaat harjalla (ei metalliharjalla).
3. Pyyhi laite kuivaksi pesun jälkeen.

Desinfiointi

- Pyyhi kaikki helpopääsiset pinnat desinfiointiaineella.



Tietoja suosituista desinfiointiaineista ja menetelmistä on osoitteessa <https://vah-online.de/en/for-users>.

6 Käytön jälkeen

6.1 Hävittäminen

Suojele ympäristöä ja vie tuote käytön jälkeen paikalliseen kierrätyspisteeseen.

Pura tuote ja sen osat, jotta eri materiaalit voidaan erotella ja kierrättää erikseen.

Käytettyjen tuotteiden ja pakkausten hävittämisessä ja kierrättämisessä on noudatettava kunkin maan jätteiden käsittelyä koskevia lakeja ja asetuksia. Kysy tarkempia tietoja paikalliselta jätehuoltolaitoksesta.

6.2 Kunnostaminen

Tämä tuote sopii käytettäväksi uudelleen. Toimi seuraavasti, kun tuotetta kunnostetaan uutta käyttäjää varten:

- Tarkistaminen
- Puhdistaminen ja desinfiointi

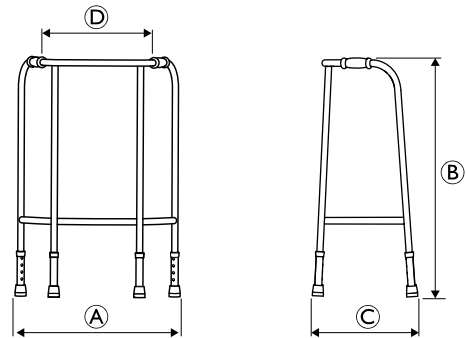
Lisätietoja on kohdassa 5 *Huolto, sivu 10*.

Varmista, että käyttöopas luovutetaan tuotteen mukana.

Jos vaurioita tai häiriöitä löytyy, älä käytä tuotetta uudelleen.

7 Tekniset Tiedot

7.1 Mitat ja painot



	Escort P435B
Kokonaisleveys A	620–630 mm
Kokonaiskorkeus B	770–850 mm
Kokonaissyvyys C	390–400 mm
Kahvojen välin leveys D	360 mm
Paino	2.0 kg
Käyttäjän enimmäispaino	130 kg

Kaikkia mittoja koskevat tietyt toleranssit.

7.2 Materiaali

Runko	Eloksoitua alumiinia
Kädensijat	TPE-muovia
Pyörät	Polypropeenaa ja kumiointi PVC-muovia
Ruuvit	Ruostesuojattua terästä

1 Generell informasjon

1.1 Innledning

Denne bruksanvisningen inneholder viktig informasjon om hvordan produktet håndteres. Les bruksanvisningen nøye, og følg sikkerhetsinstruksjonene i den, slik at du kan bruke produktet på en trygg måte.

Invacare forbeholder seg retten til å endre produktspesifikasjoner uten forvarsel.

Før du leser dette dokumentet, må du forsikre deg om at du har den nyeste versjonen. Du finner den nyeste versjonen som en PDF-fil på Invacare-nettstedet.

Hvis skriftstørrelsen i den trykte versjonen av dokumentet er vanskelig å lese, kan du laste ned PDF-versjonen fra nettstedet. Deretter kan du skalere PDF-en, slik at skriftstørrelsen passer bedre for deg.

Dersom det skjer en alvorlig hendelse i tilknytning til produktet, bør du informere produsenten og de kompetente myndigheter i landet ditt.

1.2 Symboler i denne håndboken

Advarslene i denne bruksanvisningen er angitt med symboler. Advarselsymbolene ledsages av en overskrift som angir alvorlighetsgraden.



ADVARSEL

Angir en farlig situasjon som kan føre til alvorlig personskade eller død dersom den ikke unngås.



FORSIKTIG

Angir en farlig situasjon som kan føre til lettere skade dersom den ikke unngås.



VIKTIG

Angir en farlig situasjon som kan føre til skade på utstyr hvis den ikke unngås.



Tips og anbefalinger

Gir nyttige tips, anbefalinger og opplysninger når det gjelder effektiv og problemfri bruk.

1.3 Samsvar

Kvalitet er avgjørende for virksomheten til selskapet, som arbeider innenfor fagområdene i ISO 13485.

Dette produktet er CE-merket i samsvar med forordning 2017/745 om medisinsk utstyr klasse 1. Lanseringsdatoen for dette produktet er oppgitt i CE-samsvarserklæringen.

Vi arbeider kontinuerlig for å sikre at selskapets påvirkning på miljøet – både lokalt og globalt – reduseres til et minimum.

Vi bruker kun materialer og komponenter som er i samsvar med REACH-forskriftene.

1.4 Levetid

Produktets forventede levetid er fem år ved daglig bruk, gitt at produktet brukes i samsvar med sikkerhetsinstrukser, vedlikeholdsintervaller og informasjon om riktig bruk som er lagt frem i denne håndboken. Den faktiske levetiden varierer etter brukens hyppighet og intensitet.

1.5 Garantiopplysninger

Vi tilbyr en produsentgaranti for produktet i samsvar med våre generelle forretningsvilkår i det aktuelle landet.

Garantikrav kan bare rettes gjennom den aktuelle leverandøren av produktet.

1.6 Ansvarsbegrensning

Invacare erkjenner ikke ansvar for skade som skyldes:

- Manglende overholdelse av instruksjonene i bruksanvisningen
- Feil bruk
- Naturlig slitasje
- Feilmontering utført av kjøperen eller en tredjepart
- Tekniske endringer
- Endringer som ikke er godkjent, og/eller bruk av uegnede reservedeler

2 Sikkerhet

2.1 Generell sikkerhetsinformasjon



ADVARSEL!

Fare for alvorlig personskade eller skade på utstyr
Feil bruk av produktet kan forårsake personskade og skade på utstyr.

- Hvis du har problemer med å forstå advarslene, forsiktighetsmeldingene eller instruksjonene, bør du ta kontakt med kvalifisert helsepersonell eller en leverandør eller teknisk personell før du forsøker å bruke dette utstyret.
- Du må ikke bruke dette produktet eller annet tilgjengelig ekstrautstyr hvis du ikke først har lest og forstått disse instruksjonene og eventuelt tilleggsmateriale, for eksempel bruksanvisninger, servicehåndbøker eller instruksjonsdokumenter som følger med dette produktet eller ekstrautstyr.



ADVARSEL!

Risiko for alvorlig personskade

Feil bruk kan føre til farlige situasjoner.

- Produktet skal ikke brukes på trapper eller i rulletrapper.
- Stå ikke på dette produktet.
- Utvis forsiktighet når du går i bratte eller glatte bakker og på ujevnt underlag.
- Unngå å gå mot hindringer, både forover og bakover.
- La ikke barn leke med produktet
- Ikke sitt på eller len deg mot tverrstangen.



ADVARSEL!

Skaderisiko

Ubalansert eller tung belastning kan føre til velt
– Ikke heng noen laster, for eksempel poser, på rammen.



FORSIKTIG!

Skaderisiko

Uoriginale eller uegnede deler kan gå ut over produktets virkemåte og sikkerhet.

- Bruk bare originale deler til det aktuelle produktet.
- På grunn av regionale forskjeller må du se etter tilgjengelig ekstrautstyr i den lokale Invacare-katalogen eller -nettstedet, eller du kan kontakte din lokale Invacare-representant. Se adresser nederst i dette dokumentet.

**FORSIKTIG!****Risiko for førstegradsforbrenning**

Produktkomponentene kan bli varmet opp hvis produktet utsettes for høye temperaturer (over 41 °C).

- Vær forsiktig hvis produktet utsettes for høye temperaturer, for eksempel direkte sollys.

**VIKTIG!**

Det er fare for skade på grunn av slitasje, for eksempel korrosjon.

- Ikke bruk produktet under vann, f.eks. i bassenger.
- Ikke bruk produktet i varme områder som badstuer.
- Produktet må ikke oppbevares i våte eller fuktige omgivelser.

3 Produktoversikt

3.1 Bruksområde

Hjelpemiddelet til å gå er ment for å støtte under gange.

Hjelpemiddelet til å gå er egnet for innendørs og utendørs bruk på jevne underlag.

Den tiltenkte brukeren er en voksen med en maksimal brukervekt som er angitt på produktetiketten og i kapittel 7 *Tekniske Data*, side 15.

3.2 Indikasjoner for bruk

Indikasjoner

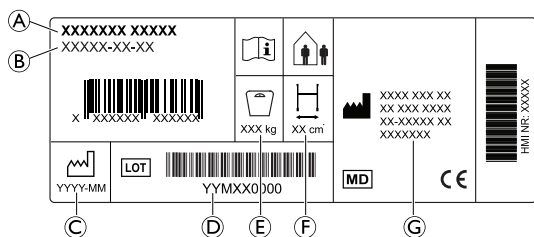
Personer med nedsatt muskelstyrke og/eller balanseevne, som trenger ekstra støtte mens han/hun går. Brukerens gjenværende bevegelses- og kognitive funksjon må være tilstrekkelig til sikker bruk av et hjelpemiddel til å gå.

Kontraindikasjoner

Personer med alvorlige balansesykdommer eller funksjonelle persepsjonssykdommer.

3.3 Merking og symboler på produktet

Identifikasjonsmerke



- | | |
|---------------------|--------------------------|
| (A) Produktnavn | (E) Maksimal brukervekt |
| (B) Delenummer | (F) Maksimal bredde |
| (C) Produksjonsdato | (G) Produsentens adresse |
| (D) LOT nummer | |

Symboler

	EU		Medisinsk utstyr
	Produsent		Les bruksanvisningen
	Produksjonsdato		LOT-nummer

	Maksimal bredde		Maksimal brukervekt
	Innendørs/utendørs bruk		

4 Bruk

4.1 Før bruk

**FORSIKTIG!****Risiko for skade eller skade på eiendom**

- Før bruk må den generelle funksjonaliteten til produktet verifiseres.
- Sjekk produktet for defekter før bruk.
- Bruk ikke et defekt produkt.

Invacare forutsetter at en individuell vurdering av brukeren har blitt foretatt av medisinsk fagpersonell for å fastslå pasientens risikonivå og behandlingsbehov. Leverandører og pleiere har vurdert at produktet gir den nødvendige støtte og at justeringene er egnet for brukeren. Ledsageren og brukeren har fått ordentlig opplært av helsepersonell om riktig og sikker bruk av produktet.

4.2 Stille inn høyden

**Anbefalt høyde**

- Håndtakene skal plasseres i håndleddshøyde når du står oppreist med armene avslappet. Terapeut kan foreslå ulike høyder avhengig av de spesifikke behovene til klienten.

**Ubehag / mindre skrubbisår**

- Vær oppmerksom på klemfare.



1. Trykk på knappen (A).
2. Beveg utvidelsen opp eller ned til ønsket høyde.
3. La knappen (A) klikke inn i det neste hullet. Sørg for at knappen plasseres riktig med et tydelig klikk.

4.3 Gå med hjelpemiddelet til å gå

1. Stå mellom de to siderammene og grip tak i håndtakene med begge hender.
2. Stå i ro og beveg/skyv hjelpemiddelet til å gå fremover.
3. Ta et skritt fremover med et stabilt grep om hjelpemiddelet til å gå.

4.4 Bruke benforlengelser

**ADVARSEL!****Risiko for å falle**

- Ved bruk av hjultilkoblinger på fremre bein må de bakre benforlengelsene justeres for å gjøre siderammene plane.
- Når det er aktuelt, må hjulbenforlengelser monteres med hjulene på utsiden av gangerammen.



Se delen "Justere høyden" for mer informasjon.

5 Vedlikehold

5.1 Generell vedlikeholdsinformasjon



ADVARSEL!

Skaderisiko

- Det bør utføres vedlikehold minst én gang i året.
- Bruk ikke et defekt produkt.
- Ikke utfør reparasjoner på egen hånd. Kontakt leverandøren din for reparasjoner.

5.2 Kontrollsjeckliste

Kontroller produktet regelmessig for å sikre god ytelse og sikkerhet.

- Kontroller at alle skruer og justeringsinnretninger er forsvarlig strammet. (Hvis relevant)
- Kontroller at håndtakene er stramme.
Hvis håndtakene er løse, skal ikke hjelpemiddelet til å gå brukes. Instruksjoner om hvordan du endrer håndtakene kan fås fra leverandør eller Invacare forhandler.
- Inspiser rammen og de påastede delene for sprekker.
- Kontroller med jevne mellomrom at hjulene er godt festet, og at de ikke viser tegn på slitasje eller skader. (Hvis relevant)
- Kontroller at hjulene er fri for hår, lo og annet rusk. (Hvis relevant)
- Pass på at gummituppene og/eller plasttuppene ikke er skrapet opp, er slitte eller mangler. (Hvis relevant)

5.3 Rengjøring og desinfisering

Generell sikkerhetsinformasjon



FORSIKTIG!

Fare for kontaminering

- Ta dine egne forholdsregler og bruk passende verneutstyr.



VIKTIG!

Feil væsker eller metoder kan skade eller ødelegge produktet.

- Alle rengjørings- og desinfeksjonsmidler må være av god kvalitet og kompatible med hverandre. I tillegg må de beskytte materialene de skal rengjøre.
- Bruk aldri etsende væsker (baser, syrer osv.) eller slipende rengjøringsmidler. Vi anbefaler et vanlig rengjøringsmiddel for husholdning som for eksempel oppvaskmiddel hvis ikke noe annet er spesifisert i rengjøringsanvisningene.
- Bruk aldri et løsemiddel (cellulosefjernere, aceton etc.) som forandrer plastens struktur eller får etikettene til å løsne.
- Pass alltid på at produktet er helt tørket før det tas i bruk igjen.



For rengjøring og desinfeksjon i kliniske omgivelser eller ved langvarig pleie, gjelder institusjonelle retningslinjer for hygiene.

Rengjøringshyppighet



VIKTIG!

Regelmessig rengjøring og desinfeksjon bidrar til problemfri bruk, lenger levetid og forhindrer kontaminering.

Rengjør og desinfiser produktet

- jevnlig mens det er i bruk,
- før og etter enhver serviceprosedyre,
- når det har vært i kontakt med enhver type kroppsvæske,
- før det brukes på en ny bruker.

Rengjøringsanvisninger

Produktet kan vaskes i vaskemaskin eller for hånd.

Når du bruker en høytrykkspyler eller en vanlig vannstråle, ikke sikt strålen mot lagrene, dreneringshullene eller etikettene.

Maksimal rengjøringstemperatur er 60 °C. Ikke bruk en damprens.

1. Rengjør hjelpemiddelet til å gå med en fuktig klut og mild såpe.
2. Rengjør hjulene med en børste (ikke stålbørste).
3. Tørk produktet med en klut etter vask.

Desinfisering

- Tørk av alle lett tilgjengelige overflater med en klut og desinfeksjonsmiddel.



Informasjon om anbefalte desinfeksjonsmidler og -metoder finner du på <https://vah-online.de/en/for-users>.

6 Etter bruk

6.1 Avfallshåndtering

Vi ber deg vise miljøansvar og levere dette produktet til en lokal gjenvinningsstasjon ved endt brukstid.

Demonter produktet og dets komponenter, slik at de ulike materialene kan sorteres og gjenvinnes hver for seg.

Kassering og gjenvinning av brukte produkter og emballasje må overholde lovene og forskriftene for avfallshåndtering i hvert land. Ytterligere informasjon får du hos det lokale renovasjonsselskapet.

6.2 Overhaling

Dette produktet er egnet for gjenbruk. Utfør følgende punkter når produktet skal overhales og overføres til en ny bruker:

- Kontroll
- Rengjøring og desinfisering

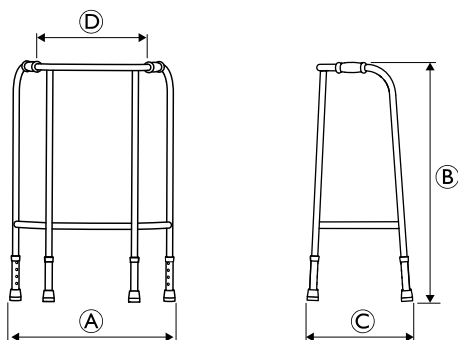
For detaljert informasjon, se *5 Vedlikehold, side 14*.

Sørg for at bruksanvisningen overleveres sammen med produktet.

Hvis det oppdages skade eller feil, må du ikke bruke produktet på nytt.

7 Tekniske Data

7.1 Mål og vekt



	Escort P435B
Total bredde A	620–630 mm
Full høyde B	770–850 mm
Full dybde C	390–400 mm
Bredde mellom håndtak D	360 mm
Vekt	2.0 kg
Maks. brukervekt	130 kg

Alle mål forutsetter en viss robusthet.

7.2 Materiale

Ramme	Anodisert aluminium
Håndtak	TPE
Hjul	Polypropylen med slitebane av termoplastisk elastomer (PVC)
Skruer	Stål, rustbeskyttet

1 Allmänt

1.1 Inledning

Den här bruksanvisningen innehåller viktig information om hantering av produkten. Läs igenom bruksanvisningen noga och följ säkerhetsinstruktionerna för att försäkra dig om att du använder produkten på ett säkert sätt.

Invacare förbehåller sig rätten att ändra produktspecifikationerna utan ytterligare meddelande.

Kontrollera att du har den senaste versionen av den här bruksanvisningen innan du läser den. Du hittar den senaste versionen som PDF-fil på Invacares webbplats.

Om du tycker att teckensnittsstorleken i den tryckta versionen av bruksanvisningen är svår att läsa kan du ladda ned PDF-versionen från webbplatsen. Du kan sedan förstora PDF-filen på skärmen till en teckensnittsstorlek som passar dig bättre.

Om en allvarlig incident inträffar med produkten bör du informera tillverkaren och den behöriga myndigheten i ditt land.

1.2 Symboler som används i det här dokumentet

Symboler och signalord som används i det här dokumentet och gäller för faror eller farliga förfaranden som kan leda till personskador eller skador på egendom. Symbolerna definieras nedan.



VARNING

Anger en riskfylld situation som kan leda till allvarlig skada eller dödsfall om den inte undviks.



FÖRSIKTIGT

Anger en riskfylld situation som kan leda till lättare skada om den inte undviks.



VIKTIGT

Anger en riskfylld situation som kan leda till produktskada om den inte undviks.



Tips och rekommendationer

Ger användbara råd, rekommendationer och information för en effektiv och problemfri användning.

1.3 Överensstämmelse

Kvalitet är absolut grundläggande för företagets verksamhet, och vi arbetar i enlighet med standarden i ISO 13485.

Den här produkten är CE-märkt i enlighet med den medicintekniska förordningen 2017/745 klass 1. Lanseringsdatum för produkten anges i CE:s försäkran om överensstämmelse.

Vi arbetar ständigt på att se till att företaget påverkar lokal och global miljö så lite som möjligt.

Vi använder endast material och komponenter som följer REACH-direktivet.

1.4 Produktlivslängd

Denna produkts förväntade livslängd är fem år när den används dagligen i enlighet med de säkerhetsinstruktioner, underhållsintervall och korrekt användning som anges i denna manual. Den faktiska livslängden kan variera beroende på hur mycket och intensivt produkten används.

1.5 Information om garanti

Vi tillhandahåller en tillverkargaranti för produkten i enlighet med våra allmänna affärsvillkor i respektive land.

Garantianspråk kan endast göras genom den leverantör som tillhandahöll produkten.

1.6 Ansvarsbegränsning

Invacare ansvarar inte för skador som uppkommer till följd av

- att bruksanvisningen inte följs
- felaktig användning
- normalt slitage
- felaktig montering eller inställning som utförs av köparen eller tredje part
- tekniska ändringar
- obehöriga ändringar och/eller användning av olämpliga reservdelar.

2 Säkerhet

2.1 Allmän säkerhetsinformation



VARNING!

Risk för allvarliga personskador eller materiella skador

Felaktig användning av den här produkten kan orsaka person- eller saksador.

- Om du inte kan förstå varningarna eller instruktionerna ska du kontakta hälso- eller sjukvårdspersonal eller leverantören innan du använder utrustningen.
- Använd inte produkten eller någon tillvalsutrustning innan du har läst och förstått de här instruktionerna och eventuellt ytterligare instruktionsmaterial som bruksanvisning, servicemanualer eller instruktionsblad som medföljer produkten eller tillvalsutrustningen.



VARNING!

Risk för allvarliga personskador

Felaktig användning kan leda till riskfyllda situationer.

- Produkten ska inte användas i trappor eller rulltrappor.
- Stå inte på produkten.
- Var försiktig när du går på sluttande, halt eller ojämnt underlag.
- Undvik att gå emot hinder, både framåt och bakåt.
- Låt inte barn leka med rollatorn.
- Sitt inte på den nedre tvärgående delen och använd den inte som stöd.



VARNING!

Risk för personskador

Obalanserad eller tung vikt kan leda till att gånghjälpmedlet välter

- Häng inte något, till exempel påsar, på ramen.



FÖRSIKTIGT!

Risk för personskador

Delar som ej är original eller som är felaktiga kan påverka produktens funktion och säkerhet.

- Använd endast originaldelar för den produkt som används.
- På grund av regionala skillnader ska du kontrollera din lokala Invacare-katalog eller webbplats för tillgängliga tillval eller kontakta din lokala Invacare-representant. Adresser finns i slutet av det här dokumentet.



FÖRSIKTIGT!

Risk för första gradens brännskador

Produktens delar kan bli mycket varma om de utsätts för höga temperaturer (över 41 °C).

- Var försiktig om produkten utsätts för höga temperaturer, t. ex. direkt solljus.



VIKTIGT!

Det finns risk för skador på grund av slitage, t. ex. korrosion.

- Produkten får inte användas under vatten, t. ex. i bassänger.
- Produkten får inte användas i varma miljöer som bastun.
- Produkten får inte förvaras i ett vått eller fuktigt utrymme.

3 Produktöversikt

3.1 Avsedd användning

Gånghjälpmedlet är avsett att ge stöd vid gång.

Gånghjälpmedlet är lämpligt för inomhus- och utomhusbruk på jämn mark.

Den avsedda användaren är en vuxen med en maxvikt för brukare som anges på produktetiketten och i kapitlet 7 *Teknisk Data, Sida 18*.

3.2 Indikationer för användning

Indikationer

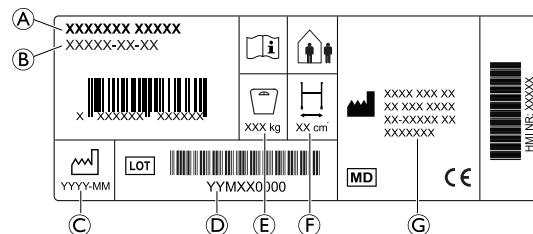
Personer med nedsatt muskelstyrka och/eller balans, som behöver ytterligare stöd medan de går. Brukarens återstående gång- och kognitiva förmåga måste vara tillräcklig för säker användning av ett gånghjälpmedel.

Kontraindikationer

Personer med allvarliga balansrubbingar eller funktionella perceptionsstörningar.

3.3 Etiketter och symboler på produkten

Serienummeretikett



- Ⓐ Produktnamn
- Ⓑ Artikelnummer
- Ⓒ Tillverkningsdatum
- Ⓓ LOT-nummer
- Ⓔ Brukarens maxvikt
- Ⓕ Maximal bredd
- Ⓖ Tillverkarens adress

Symboler

	Europeisk överensstämmelse		Medicinteknisk produkt
	Tillverkare		Läs bruksanvisningen
	Tillverkningsdatum		LOT-kod
	Maximal bredd		Brukarens maxvikt
	Inomhusbruk/ utomhusbruk		

4 Användande

4.1 Innan produkten används



FÖRSIKTIGT!

Risk för personskador och sakskada

- Före användning ska du kontrollera produktens allmänna funktion.
- Innan du använder produkten ska du kontrollera om den har defekter.
- Använd inte en defekt produkt.

Invacare förutsätter att sjukvårdspersonal har gjort en individuell bedömning av brukaren för att fastställa risknivån eller behandlingskraven. Vårdgivare har bedömt att produkten ger önskat stöd och att dess justeringar är lämpliga för brukaren. Vårdgivare och brukare har fått lämplig utbildning från vårdpersonal om hur produkten ska användas på ett rätt och säkert sätt.

4.2 Justera höjden



Rekommenderad höjd

- Handtagen ska vara i handledshöjd när brukaren står med rak rygg och avslappnade armar. En sjukgymnast kan rekommendera en annan höjd om brukaren har särskilda behov.



Obehag/mindre blåmärken

- Var uppmärksam på klämrisken.



1. Tryck på låsknappen Ⓐ.
2. Skjut förlängningen uppåt eller nedåt till önskad höjd.
3. Se till att låsknappen Ⓐ klickar på plats i nästa hål. Se till att knappen hakar i med ett tydligt klick.

4.3 Gå

1. Stå mellan två de sidoramarna och håll båda händerna på handtagen.
2. Stå still och flytta/skjut gånghjälpmedlet framåt.
3. Ta ett steg framåt medan du håller gånghjälpmedlet stadigt.

4.4 Använda förlängda infästningar



VARNING!

Fallrisk

- Om det sitter hjul på de främre benen måste de bakre benens förlängda infästningar justeras så att sidoramarna är raka.
- När det är tillämpligt måste hjulförsedda förlängda infästningar monteras med hjulen på gåstativets yttersida.



Mer information finns i avsnittet "Justera höjden".

5 Underhåll

5.1 Allmän information för underhåll



VARNING!

Risk för personskador

- Underhåll bör utföras minst en gång om året.
- Använd inte en defekt produkt.
- Försök inte göra några reparationer själv. För reparationer, kontakta din leverantör.

5.2 Inspektionschecklista

För att säkerställa god prestanda och säkerhet ska du inspektera produkten regelbundet.

- Kontrollera att alla skruvar och justeringar är ordentligt åtdragna. (Om tillämpligt)
- Se till att handgreppen är åtdragna. Använd inte gånghjälpmedlet om handgreppen sitter löst. Anvisningar om hur du byter handgreppen kan erhållas från din leverantör eller Invacare-distributör.
- Inspektera ramen och de belastade delarna för sprickor.
- Inspektera hjulen beträffande åtdragning, slitage och skada. (Om tillämpligt)
- Kontrollera att inget hår, ludd eller annat skräp har fastnat i hjulen. (Om tillämpligt)
- Kontrollera att gummiändarna och/eller lågfriktionsändarna i plast inte är trasiga, slitna eller saknas. (Om tillämpligt)

5.3 Rengöring och desinfektion

Allmän säkerhetsinformation



FÖRSIKTIGT!

Risk för kontaminering

- Vidta försiktighetsåtgärder för dig själv och använd lämplig skyddsutrustning.



VIKTIGT!

Felaktiga vätskor och metoder kan skada produkten.

- Alla rengöringsmedel och desinfektionsmedel som används måste vara effektiva, kompatibla med varandra och måste skydda de material som de är avsedda att rengöra.
- Använd aldrig korroderande vätskor (alkaliska ämnen, syror etc.) eller slipande rengöringsmedel. Vi rekommenderar ett vanligt rengöringsmedel för hushållsbruk som t.ex. diskmedel, om inte annat anges i rengöringsanvisningarna.
- Använd aldrig ett lösningsmedel (cellulosathinner, aceton etc.) som ändrar strukturen i plasten eller löser upp fästa etiketter.
- Se alltid till att produkten är helt torr innan den tas i bruk igen.



För rengöring och desinfektion i kliniska eller långvårdsmiljöer gäller riktlinjer för institutionell hygien.

Rengöringsintervall



VIKTIGT!

Regelbunden rengöring och desinfektion förbättrar smidig drift, förlänger livslängden och förhindrar kontaminering.

Rengör och desinficera produkten

- regelbundet då den är i bruk,
- före och efter underhållsprocedurer,
- när den har kommit i kontakt med kroppsvätskor,
- innan den används med en ny brukare.

Instruktioner för rengöring

Produkten kan tvättas i tvättmaskin eller för hand.

När du använder en högtryckstvätt eller en vanlig vattenstråle ska du inte rikta strålen mot lager, dräneringshål eller etiketter.

Den maximala rengöringstemperaturen är 60 °c. Använd inte ångrengörare.

1. Rengör gånghjälpmedlet med en fuktig trasa och mildt rengöringsmedel.
2. Rengör hjulen med en borste (ej stålborste).
3. Torka produkten ordentligt när du har tvättat färdigt.

Desinfektion

- Desinficera produkten genom att torka av alla åtkomliga ytor med desinfektionsmedlet.



Information om rekommenderade desinfektionsmedel och metoder finns på <https://vah-online.de/en/for-users>.

6 Återanvändning

6.1 Kassering

Tänk på miljön och återvinn produkten genom att lämna in den på en återvinningscentral när den inte längre kan användas.

Ta isär produkten och dess komponenter så att de olika materialerna kan separeras och återvinnas individuellt.

Kassering och återvinning av begagnade produkter och förpackningar måste följa de lagar och föreskrifter som gäller för avfallshantering i respektive land. Kontakta det företag som sköter den lokala avfallshanteringen för att få information.

6.2 Rekonditionering

Den här produkten kan återanvändas. Gör följande när produkten ska rekonditioneras för en ny användare:

- Inspektion
- Rengöring och desinfektion

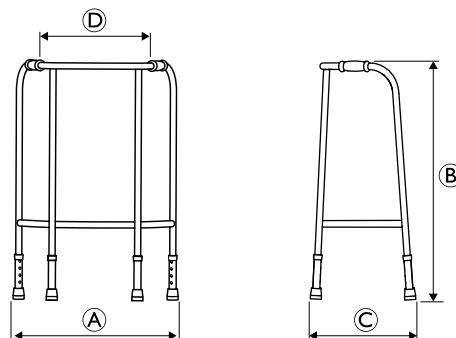
För ingående information, se 5 Underhåll, Sida 17.

Se till att bruksanvisningen överlämnas tillsammans med produkten.

Om skador eller fel upptäcks ska produkten inte återanvändas.

7 Teknisk Data

7.1 Mått och vikt



	Escort P435B
Total bredd A	620–630 mm
Total höjd B	770–850 mm
Totalt djup C	390–400 mm
Bredd mellan handtagen D	360 mm
Vikt	2.0 kg
Brukarens maxvikt	130 kg

Alla dimensioner är föremål för visst spelrum.

7.2 Material

Ram	Anodiserat aluminium
Handgrepp	TPE
Hjul	Polypropylen med däckmönster i PVC
Skruvar	Rostfritt stål

de

1 Allgemein

1.1 Einleitung

Diese Gebrauchsanweisung enthält wichtige Informationen zur Handhabung des Produkts. Lesen Sie die Gebrauchsanweisung sorgfältig durch und befolgen Sie die Sicherheitsanweisungen, damit eine sichere Verwendung des Produkts gewährleistet ist.

Invacare behält sich das Recht vor, Produktspezifikationen ohne vorherige Ankündigung abzuändern.

Vergewissern Sie sich vor dem Lesen dieses Dokuments, dass Sie die aktuelle Fassung haben. Die jeweils aktuelle Fassung können Sie als PDF-Datei von der Invacare-Website herunterladen.

Wenn die gedruckte Ausführung des Dokuments für Sie aufgrund der Schriftgröße schwer zu lesen ist, können Sie die entsprechende PDF-Version von der Invacare-Website herunterladen. Sie können das PDF-Dokument dann auf dem Bildschirm so anzeigen, dass die Schriftgröße für Sie angenehmer ist.

Bei einem ernsthaften Vorfall mit dem Produkt informieren Sie bitte den Hersteller und die zuständige Behörde in Ihrem Land.

1.2 Symbole in diesem Dokument

In diesem Dokument werden Symbole und Signalwörter verwendet, um auf Gefahren oder unsichere Praktiken hinzuweisen, die zu Verletzungen oder Sachschaden führen

können. Die Definitionen der verwendeten Signalwörter finden Sie in der nachfolgenden Tabelle.



WARNUNG

Weist auf eine gefährliche Situation hin, die bei Nichtbeachtung zu schweren Verletzungen oder zum Tod führen kann.



VORSICHT

Weist auf eine gefährliche Situation hin, die bei Nichtbeachtung zu leichten Verletzungen führen kann.



WICHTIG

Weist auf eine gefährliche Situation hin, die bei Nichtbeachtung der Hinweise zu Sachschäden führen kann.



Tipps und Empfehlungen

Enthalten nützliche Tipps, Empfehlungen und Anleitungen für eine effiziente und problemlose Verwendung.

1.3 Konformität

Qualität ist für das Unternehmen entscheidend. Alle Abläufe sind an den Anforderungen von ISO 13485 ausgerichtet.

Dieses Produkt ist mit dem CE-Kennzeichen versehen und erfüllt die europäische Verordnung 2017/745 über Medizinprodukte der Klasse I. Das Markteinführungsdatum des Produkts ist in der CE-Konformitätserklärung aufgeführt.

Wir setzen uns kontinuierlich dafür ein, die Umwelt durch unsere Unternehmenstätigkeit sowohl direkt vor Ort als auch weltweit möglichst wenig zu beeinträchtigen.

Wir verwenden ausschließlich REACH-konforme Materialien und Bauteile.

1.4 Nutzungsdauer

Die Nutzungsdauer dieses Produkts beträgt fünf Jahre, vorausgesetzt, es wird täglich und in Übereinstimmung mit den in dieser Gebrauchsanweisung aufgeführten Sicherheitshinweisen, Wartungsintervallen und korrekten Verfahrensweisen verwendet. Die tatsächliche Haltbarkeitsdauer kann abhängig von Häufigkeit und Intensität der Verwendung variieren.

1.5 Garantieinformationen

Wir gewähren für das Produkt eine Herstellergarantie gemäß unseren Allgemeinen Geschäftsbedingungen für das entsprechende Land.

Garantieansprüche können nur über den Händler geltend gemacht werden, von dem das Produkt bezogen wurde.

1.6 Beschränkung der Haftung

Invacare übernimmt keine Haftung für Schäden aufgrund von:

- Nichteinhaltung der Gebrauchsanweisung
- falscher Verwendung
- normalem Verschleiß
- falscher Montage oder Einrichtung durch den Käufer oder einen Dritten
- technischen Änderungen
- unbefugten Änderungen bzw. Einsatz nicht geeigneter Ersatzteile

2 Sicherheit

2.1 Allgemeine Sicherheitsinformationen



WARNUNG!

Gefahr von schweren Verletzungen oder Sachschäden

Die unsachgemäße Verwendung dieses Produkts kann zu Verletzungen oder Sachschäden führen.

- Falls Ihnen die Warnungen, Sicherheitshinweise und Anweisungen unverständlich sind, wenden Sie sich an einen Arzt oder den Anbieter, bevor Sie das Produkt verwenden.
- Verwenden Sie dieses Produkt oder optionales Zubehör erst, nachdem Sie diese Anweisungen und mögliches zusätzliches Anweisungsmaterial – wie die zum Produkt oder optionalen Zubehör gehörende(n) Gebrauchsanweisung, Servicehandbücher oder Merkblätter – vollständig gelesen und verstanden haben.



WARNUNG!

Gefahr schwerer Verletzungen

Eine nicht bestimmungsgemäße Verwendung kann zu gefährlichen Situationen führen.

- Verwenden Sie das Produkt nicht auf Treppen oder Rolltreppen.
- Nicht auf das Produkt stellen.
- Lassen Sie beim Gehen auf abschüssigem oder rutschigem oder unebenem Untergrund Vorsicht walten.
- Vermeiden Sie es, gegen Hindernisse zu laufen (sowohl vorwärts als auch rückwärts).
- Lassen Sie keine Kinder mit dem Produkt spielen.
- Setzen Sie sich nicht auf die Querstrebe, und verwenden Sie sie nicht, um sich abstützen.



WARNUNG!

Verletzungsgefahr

Bei unausgeglichener oder schwerer Beladung kann das Produkt umkippen

- Hängen Sie keine Lasten (z. B. Taschen) an den Rahmen.



VORSICHT!

Verletzungsgefahr

Teile, die nicht in Original-Qualität vorliegen, oder falsche Teile können die Funktion und Sicherheit des Produkts beeinträchtigen.

- Für das verwendete Produkt ausschließlich Originalteile verwenden.
- Aufgrund regionaler Unterschiede ziehen Sie bei der Suche nach erhältlichen Optionen den Invacare-Katalog oder die Invacare-Website für Ihr Land zu Rate, oder wenden Sie sich an Ihren Invacare-Händler vor Ort. Die entsprechenden Adressen finden Sie am Ende dieses Dokuments.



VORSICHT!

Gefahr von Verbrennungen ersten Grades

Teile des Produktes können sich erwärmen, wenn sie hohen Temperaturen (über 41 °C) ausgesetzt werden.

- Wird das Produkt hohen Temperaturen (zum Beispiel direktem Sonnenlicht) ausgesetzt, ist Vorsicht angebracht.



WICHTIG!

- Es besteht ein Schadensrisiko aufgrund von Verschleiß (z. B. Korrosion).
- Das Produkt nicht unter Wasser (z. B. in Pools) verwenden.
- Das Produkt nicht in Bereichen mit hohen Temperaturen (z. B. Saunen) verwenden.
- Das Produkt darf nicht in einer nassen oder feuchten Umgebung gelagert werden.

3 Produktübersicht

3.1 Verwendungszweck

Die Gehhilfe ist zur Unterstützung beim Gehen vorgesehen.

Die Gehhilfe ist sowohl im Innen- als auch im Außenbereich auf ebenem Untergrund einsetzbar.

Der vorgesehene Benutzer ist ein Erwachsener mit einem maximalen Benutzergewicht wie auf dem Typenschild und in Kapitel 7 *Technische Daten*, Seite 22 angegeben.

3.2 Indikationen für den Gebrauch

Indikationen

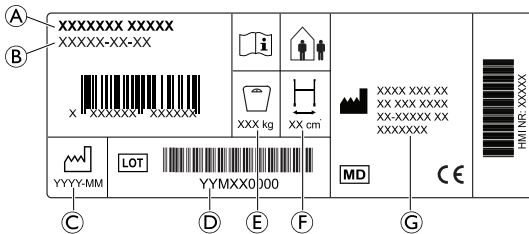
Personen mit eingeschränkter Muskelkraft und/oder Gleichgewicht, die beim Gehen zusätzliche Unterstützung benötigen. Die verbleibende Gehfähigkeit und die kognitiven Fähigkeiten müssen für eine sichere Nutzung der Gehhilfe ausreichen.

Gegenanzeigen

Personen mit schweren Gleichgewichtsstörungen oder funktionellen Wahrnehmungsstörungen.

3.3 Etiketten und Symbole am Produkt

Typenschild



- (A) Produktname
- (B) Teilenummer
- (C) Herstellungsdatum
- (D) Codenummer
- (E) Maximales Benutzergewicht
- (F) Maximale Breite
- (G) Adresse des Herstellers

Symbole

	CE-Kennzeichnung		Medizinprodukt
	Hersteller		Gebrauchsanweisung lesen
	Herstellungsdatum		Chargennummer
	Maximale Breite		Maximales Benutzergewicht
	In Innenräumen wie im Freien verwendbar		

4 Verwenden

4.1 Vor der Verwendung



VORSICHT!

- Gefahr von Verletzungen oder Sachschäden**
- Vor der Verwendung das grundsätzliche Funktionsvermögen des Produkts verifizieren.
 - Das Produkt vor Verwendung auf etwaige Schäden inspizieren.
 - Das Produkt nicht verwenden, wenn es schadhaft ist.

Invacare geht davon aus, dass medizinisches Fachpersonal eine individuelle Beurteilung des Benutzers vorgenommen hat, um dessen Risikoniveau oder therapeutische Anforderungen festzulegen. Anbieter und Pflegepersonal haben bewertet, dass das Produkt die benötigte Unterstützung bietet und dass die Einstellungen für den Benutzer geeignet sind. Pfleger und Benutzer haben von medizinischem Fachpersonal eine entsprechende Schulung erhalten, wie sie das Produkt korrekt und sicher anwenden.

4.2 Anpassen der Höhe



Empfohlene Höhe

- Die Griffe sollten in Höhe der Handgelenke (bei aufrecht stehendem Benutzer mit entspannten Armen) eingestellt werden. Der Therapeut empfiehlt möglicherweise abhängig von den spezifischen Anforderungen des Patienten abweichende Höheneinstellungen.



Beschwerden / Kleinere Druckstellen

- Vorsicht, es besteht Einklemmgefahr.



1. Drücken Sie den Druckknopf (A).
2. Schieben Sie die Erweiterung nach oben oder unten, bis die gewünschte Höhe erreicht ist.
3. Lassen Sie den Druckknopf (A) in das nächste Loch einrasten. Achten Sie darauf, dass den Druckknopf mit einem hörbaren Klicken vollständig einrastet.

4.3 Gehen

1. Stellen Sie sich zwischen die zwei Seitenrahmen, und legen Sie beide Hände an die Griffe.
2. Stehen Sie still, und bewegen/schieben Sie die Gehhilfe vorwärts.
3. Machen Sie einen Schritt nach vorne, wobei Sie die Gehhilfe festhalten.

4.4 Verwendung von Beinerweiterungen



WARNUNG! **Sturzgefahr**

- Bei der Verwendung von Rädern an den vorderen Beinen müssen die hinteren Beinerweiterungen angepasst werden, damit die Seitenrahmen gerade stehen.
- Beinerweiterungen mit Rädern (sofern anwendbar) müssen so montiert werden, dass sich die Räder an der Außenseite der Gehhilfe befinden.



Weitere Informationen hierzu finden Sie im Abschnitt „Einstellen der Höhe“.

5 Instandhaltung

5.1 Allgemeine Hinweise zur Instandhaltung



WARNUNG! **Verletzungsgefahr**

- Eine Wartung des Produkts sollte mindestens einmal jährlich erfolgen.
- Das Produkt nicht verwenden, wenn es schadhaft ist.
- Versuchen Sie nicht, selbst Reparaturen vorzunehmen. Für Reparaturen wenden Sie sich an Ihren Anbieter.

5.2 Prüfliste für die Inspektion

Um die Funktion und die Sicherheit des Produkts aufrechtzuerhalten, überprüfen Sie es regelmäßig.

- Prüfen Sie alle Schrauben und verstellbaren Elemente auf sicheren Sitz. (falls zutreffend)
- Stellen Sie sicher, dass die Handgriffe fest sitzen. Die Gehhilfe darf nicht verwendet werden, wenn die Handgriffe lose/locker sind. Anweisungen zum Wechseln der Handgriffe erhalten Sie von Ihrem Anbieter oder Invacare-Vertriebshändler.
- Überprüfen Sie den Rahmen und beanspruchte Bauteile auf Risse.
- Überprüfen Sie die Räder auf festen Sitz, Verschleiß und Beschädigungen. (falls zutreffend)
- Stellen Sie sicher, dass die Räder frei von Haaren, Fusseln und anderem Schmutz sind. (falls zutreffend)
- Vergewissern Sie sich, dass die Gummispitzen und/oder Plastikgleiter noch vorhanden sowie nicht gerissen oder abgenutzt sind. (falls zutreffend)

5.3 Reinigung und Desinfektion

Allgemeine Sicherheitsinformationen



VORSICHT! **Kontaminationsgefahr**

- Vorkehrungen für sich selbst treffen und geeignete Schutzausrüstung verwenden.



WICHTIG!

Falsche Reinigungsmethoden oder -flüssigkeiten können zu einer Beschädigung des Produkts führen.

- Alle verwendeten Reinigungs- und Desinfektionsmittel müssen wirksam und miteinander kompatibel sein sowie das Material schützen, das mit ihnen gereinigt wird.
- Keinesfalls korrodierende Flüssigkeiten (Laugen, Säuren usw.) oder scheuernde Reinigungsmittel verwenden. Wenn in der Reinigungsanleitung nichts anderes angegeben ist, empfehlen wir ein handelsübliches Haushaltsreinigungsmittel (z. B. Geschirrspülmittel).
- Niemals Lösungsmittel (Nitroverdünnung, Aceton usw.) verwenden, die die Struktur des Kunststoffes verändern oder die angebrachten Etiketten angreifen.
- Immer sicherstellen, dass das Produkt absolut trocken ist, bevor es wieder in Gebrauch genommen wird.



Zur Reinigung und Desinfektion in Langzeitpflegeumgebungen oder klinischen Umgebungen die internen Verfahren beachten.

Reinigungsintervalle



WICHTIG!

Regelmäßige Reinigung und Desinfektion sorgen für einen reibungslosen Betrieb, verlängern die Nutzungsdauer und verhindern Verunreinigungen. Reinigen und desinfizieren Sie das Produkt

- regelmäßig, sofern es verwendet wird
- vor und nach jeder Wartung
- nach Kontakt mit Körperflüssigkeiten
- vor Benutzung durch einen neuen Patienten

Reinigungsanweisungen

Das Produkt kann in einer Waschanlage oder von Hand gereinigt werden.

Wenn Sie einen Hochdruckreiniger oder einen gewöhnlichen Wasserstrahl verwenden, halten Sie den Wasserstrahl jedoch nicht auf Lager, Drainagelöcher oder Etiketten.

Die max. Reinigungstemperatur beträgt 60 °C. Verwenden Sie keinen Dampfreiniger.

1. Die Gehhilfe mit einem feuchten Tuch und einem milden Reinigungsmittel reinigen.
2. Die Räder mit einer Bürste reinigen (keine Drahtbürste).
3. Das Produkt nach dem Reinigen trocken reiben.

Desinfektion

- Alle direkt zugänglichen Oberflächen mit einem Desinfektionsmittel abwischen.



Informationen zu empfohlenen Desinfektionsmitteln und -verfahren finden Sie unter <https://vah-online.de/de/fuer-anwender>.

6 Nach dem Gebrauch

6.1 Entsorgung

Handeln Sie umweltbewusst, und lassen Sie dieses Produkt nach dem Ende seiner Lebensdauer über eine lokale Müllverwertungsanlage recyceln.

Demontieren Sie das Produkt und seine Bauteile, damit die verschiedenen Materialien einzeln getrennt und recycelt werden können.

Die Entsorgung und das Recycling von gebrauchten Produkten und Verpackungen müssen in Übereinstimmung mit den einschlägigen Gesetzen und Vorschriften des jeweiligen Landes zur Abfallentsorgung erfolgen. Wenden Sie sich an Ihr Abfallentsorgungsunternehmen, wenn Sie weitere Informationen wünschen.

6.2 Wiederaufbereitung

Dieses Produkt ist für die wiederholte Verwendung geeignet. Um das Produkt für einen neuen Benutzer wiederaufzubereiten, sind die folgenden Maßnahmen zu ergreifen:

- Prüfung
- Reinigung und Desinfektion

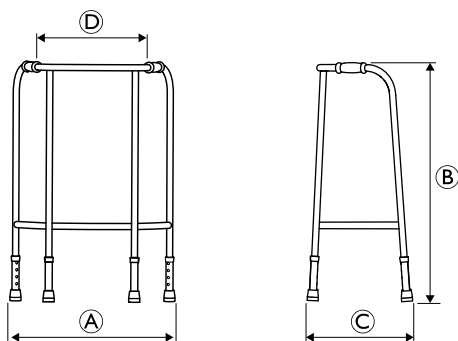
Detaillierte Informationen siehe *5 Instandhaltung, Seite 21*.

Stellen Sie sicher, dass die Gebrauchsanweisung zusammen mit dem Produkt übergeben wird.

Das Produkt darf nicht wiederholt verwendet werden, wenn es beschädigt ist oder Funktionsstörungen vorliegen.

7 Technische Daten

7.1 Abmessungen und Gewichte



	Escort P435B
Gesamtbreite A	620–630 mm
Gesamthöhe B	770–850 mm
Gesamttiefe C	390–400 mm
Breite zwischen den Griffen D	360 mm
Gewicht	2.0 kg
Max. Benutzergewicht	130 kg

Alle Abmessungen unterliegen gewissen Toleranzen.

7.2 Material

Rahmen	Eloxiertes Aluminium
Handgriffe	TPE
Räder	Polypropylen mit PVC-Laufflächen
Schrauben	Stahl, korrosionsschutz

1 Generalidades

1.1 Introducción

Este manual del usuario contiene información importante sobre el manejo del producto. Para garantizar su seguridad al utilizar el producto, lea detenidamente el manual del usuario y siga las instrucciones de seguridad.

Invacare se reserva el derecho de modificar las especificaciones del producto sin previo aviso.

Antes de leer este documento, asegúrese de contar con la versión más reciente. Podrá encontrarla en formato PDF en el sitio web de Invacare.

Si la versión impresa del documento tiene un tamaño de letra que le resulta difícil de leer, podrá descargarlo en formato PDF en el sitio web. Podrá ampliar el PDF en pantalla a un tamaño de letra que le resulte más cómodo.

En caso de un accidente grave con el producto, informe al fabricante y a las autoridades competentes de su país.

1.2 Símbolos en este manual

En este manual se utilizan símbolos y señales que hacen referencia a peligros o usos poco seguros que pueden provocar lesiones o daños a la propiedad. A continuación, se muestran las descripciones de estos símbolos.



ADVERTENCIA

Indica una situación peligrosa que, si no se evita, podría tener como consecuencia la muerte o lesiones graves.



PRECAUCIÓN

Indica una situación peligrosa que, si no se evita, podría tener como consecuencia lesiones menos graves.



IMPORTANTE

Indica una situación peligrosa que, si no se evita, podría tener como consecuencia daños a la propiedad.



Consejos y recomendaciones

Proporciona consejos útiles, recomendaciones e información para un uso eficiente y sin problemas.

1.3 Cumplimiento

La calidad es fundamental para el funcionamiento de nuestra empresa, que trabaja conforme a las normas ISO 13485.

Este producto lleva la marca CE, en cumplimiento con el Reglamento 2017/745 sobre productos sanitarios de clase 1. La fecha de lanzamiento de este producto figura en la declaración de conformidad de la CE.

Trabajamos continuamente para garantizar que se reduzca al mínimo el impacto medioambiental de la empresa, tanto a nivel local como global.

Solo utilizamos materiales y componentes que cumplen con las directivas REACH.

1.4 Vida útil

La vida útil prevista para este producto es de cinco años, siempre y cuando se utilice diariamente y de conformidad con las instrucciones de seguridad, se respeten los intervalos de mantenimiento y se utilice correctamente según lo establecido en este manual. La vida útil real puede variar en función de la frecuencia y la intensidad del uso.

1.5 Información sobre la garantía

Ofrecemos la garantía del fabricante del producto conforme a nuestras Condiciones generales y Condiciones comerciales en los distintos países.

Las reclamaciones relativas a la garantía solo pueden efectuarse a través del distribuidor en el que se adquirió el producto.

1.6 Limitación de responsabilidad

Invacare no se hace responsable de los daños surgidos por:

- Incumplimiento del manual del usuario

- Uso incorrecto
- Desgaste natural
- Montaje o instalación incorrectos por parte del comprador o de terceros
- Modificaciones técnicas
- Modificaciones no autorizadas y/o uso de recambios inadecuados

2 Seguridad

2.1 Información general de seguridad



¡ADVERTENCIA!

Riesgo de daños o lesiones graves

Un uso incorrecto de este producto puede provocar lesiones o daños.

- Si tiene alguna duda relacionada con las advertencias, precauciones o instrucciones, póngase en contacto con un profesional sanitario o con su proveedor antes de intentar utilizar este equipo.
- No utilice este producto ni cualquier otro equipo opcional disponible sin antes haber leído y comprendido estas instrucciones y cualquier otro material informativo adicional, como el manual del usuario, manuales de servicio u hojas de instrucciones proporcionados con este producto o equipo opcional.



¡ADVERTENCIA!

Riesgo de lesiones graves

El uso incorrecto puede causar situaciones peligrosas.

- No utilice el producto en escaleras o escaleras mecánicas.
- No se ponga de pie sobre el producto.
- Tenga cuidado al caminar por pendientes, suelos resbaladizos o superficies irregulares.
- Si hay obstáculos, evite caminar hacia delante y hacia atrás.
- No permita que los niños jueguen con el producto
- No se siente en el larguero ni lo use como soporte.



¡ADVERTENCIA!

Riesgo de lesiones

Una carga desequilibrada o pesada puede causar una caída.

- No cuelgue ninguna carga (por ejemplo, bolsos) en el chasis.



¡PRECAUCIÓN!

Riesgo de lesiones

El uso de piezas incorrectas o que no sean originales puede afectar el funcionamiento y la seguridad del producto.

- Utilice solo piezas originales para usar el producto.
- Debido a las diferencias regionales, consulte el sitio web o el catálogo local de Invacare para ver las opciones disponibles o póngase en contacto con el representante local de Invacare. Consulte las direcciones al final de este documento.



¡PRECAUCIÓN!

Riesgo de quemaduras de primer grado

Los componentes del producto pueden calentarse si se exponen a temperaturas elevadas (superiores a 41 °C).

- Tenga cuidado si el producto se expone a altas temperaturas, por ejemplo, a la luz solar directa.



¡IMPORTANTE

Existe riesgo de daños debidos al desgaste, por ejemplo, corrosión.

- No utilice el producto bajo el agua, por ejemplo, en piscinas.
- No utilice el producto en áreas calientes como saunas.
- No guarde el producto en entornos mojados o húmedos.

3 Descripción del producto

3.1 Uso previsto

El andador está diseñado para servir de apoyo cuando se camina.

El andador está indicado para su uso en interiores y exteriores en terrenos nivelados.

El usuario previsto es un adulto con un peso de usuario máximo igual o inferior al indicado en la etiqueta del producto y en el capítulo 7 *Datos Técnicos*, página 25.

3.2 Indicaciones de uso

Indicaciones

Personas con deterioro de la fuerza muscular y/o problemas de equilibrio, que necesiten apoyo adicional mientras caminan. La capacidad cognitiva y la movilidad restante del usuario deben ser suficientes utilizar un andador con seguridad.

Contraindicaciones

Personas con trastornos de equilibrio graves o alteraciones perceptivas funcionales.

3.3 Etiquetas y símbolos en el producto






Etiqueta de identificación



- Ⓐ Nombre del producto
- Ⓑ Número de referencia
- Ⓒ Fecha de fabricación
- Ⓓ Número de lote
- Ⓔ Peso máximo del usuario
- Ⓕ Anchura máxima
- Ⓖ Dirección del fabricante

Símbolos

	Conformidad europea		Producto sanitario
	Fabricante		Lea el manual del usuario

	Fecha de fabricación		Número LOT
	Anchura máxima		Peso máximo del usuario
	Uso en interiores/ exteriores		

4 Utilización

4.1 Antes del uso



¡PRECAUCIÓN!

Riesgo de lesiones o daños a la propiedad

- Antes de su uso, compruebe la funcionalidad general del producto.
- Antes de su uso, compruebe si el producto presenta algún defecto.
- No utilice el producto si está defectuoso.

Invacare supone que un profesional sanitario ha realizado una evaluación individual del usuario para determinar su nivel de riesgo o sus necesidades terapéuticas, que los proveedores y cuidadores han determinado que el producto proporciona la ayuda requerida y sus ajustes resultan adecuados para el usuario, y que un profesional sanitario ha formado del modo adecuado al cuidador y al usuario sobre cómo utilizar el producto correctamente y de forma segura.

4.2 Ajuste de altura



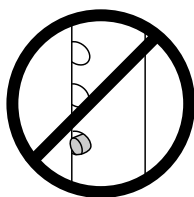
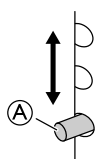
Altura recomendada

- Las empuñaduras deben colocarse a la altura de la muñeca cuando el usuario esté de pie con los brazos relajados. El terapeuta podría indicar distintas alturas según las necesidades concretas del cliente.



Incomodidad o pequeños moratones

- Tenga cuidado de no atrparse los dedos.



1. Pulse el botón de ajuste (A).
2. Suba o baje la extensión hasta alcanzar la altura deseada.
3. Deje que el botón de ajuste (A) encaje en el siguiente orificio. Asegúrese de que el botón haya encajado correctamente; para ello, deberá escuchar un "clic".

4.3 Caminar

1. Póngase de pie entre las dos estructuras laterales y coloque ambas manos en los asideros.
2. Quédese quieto y mueva o deslice el andador hacia delante.
3. Dé un paso hacia delante a la vez que sujeta firmemente el andador.

4.4 Uso de las extensiones de los pies



¡ADVERTENCIA!

Riesgo de caídas

- Si se utilizan accesorios de rueda en los pies delanteros, las extensiones de los pies traseros se deben ajustar para nivelar los cuadros laterales.
- Cuando corresponda, las extensiones de pies con ruedecillas deben instalarse con las ruedas hacia el exterior del andador.



Consulte la sección "Ajuste de la altura" para obtener más información.

5 Mantenimiento

5.1 Información sobre mantenimiento general



¡ADVERTENCIA!

Riesgo de lesiones

- Las tareas de mantenimiento deben realizarse al menos una vez al año.
- No utilice el producto si está defectuoso.
- No intente repararlo usted mismo. Para realizar reparaciones, póngase en contacto con su proveedor.

5.2 Lista de verificación de inspección

Para garantizar un funcionamiento y una seguridad óptimos, inspeccione el producto periódicamente.

- Compruebe que todos los tornillos y ajustes estén correctamente apretados. (Si procede)
- Asegúrese de que las empuñaduras estén apretadas. Si las empuñaduras están sueltas, no utilice el andador. Consulte a su proveedor o a su distribuidor de Invacare para obtener instrucciones sobre cómo cambiar las empuñaduras.
- Inspeccione el chasis y las piezas cargadas por si presentan grietas.
- Compruebe si las ruedas están bien ajustadas, desgastadas o dañadas. (Si procede)
- Asegúrese de que las ruedas están libres de pelos, pelusas u otro tipo de suciedad. (Si procede)
- Asegúrese de que las conteras de goma y/o conteras de deslizamiento de plástico no estén rotas, desprendidas o ausentes. (Si procede)

5.3 Limpieza y desinfección

Información general de seguridad




¡PRECAUCIÓN!

Riesgo de contaminación

- Adopte las precauciones necesarias y utilice el equipo de protección adecuado.

! IMPORTANTE

- Seguir métodos erróneos o utilizar fluidos incorrectos puede dañar o deteriorar el producto.
- Todos los productos de limpieza y desinfectantes empleados deben ser eficaces, compatibles entre sí y deben proteger los materiales que se van a limpiar.
 - Nunca utilice fluidos corrosivos (álcalis, ácidos, etc.) ni productos de limpieza abrasivos. Recomendamos usar un producto de limpieza doméstico normal, como líquido lavavajillas, si no especifica lo contrario en las instrucciones de limpieza.
 - No utilice disolventes (decapantes de celulosa, acetona, etc.) que cambien la estructura del plástico o disuelvan las etiquetas adheridas.
 - Asegúrese siempre de que el producto se ha secado por completo antes de utilizarlo de nuevo.

 Para la limpieza y desinfección en entornos clínicos o de atención sanitaria a largo plazo, siga los procedimientos internos.

Intervalos de limpieza

! IMPORTANTE

- La limpieza y la desinfección habituales mejoran el correcto funcionamiento, aumentan la vida útil y evitan la contaminación. Limpie y desinfecte el producto
- periódicamente mientras esté en uso,
 - antes y después de cualquier procedimiento de mantenimiento,
 - cuando haya estado en contacto con fluidos corporales,
 - antes de usarlo con un nuevo usuario.

Instrucciones de limpieza

El producto puede lavarse manualmente o en una lavadora.


Cuando utilice un limpiador a alta presión o un chorro de agua normal, no dirija el chorro hacia los cojinetes, los orificios de drenaje o las etiquetas.

La temperatura máxima de limpieza es de 60 °C. No utilice un limpiador a vapor.

1. Limpie el andador con un paño húmedo y un detergente suave.
2. Limpie las ruedas con un cepillo (que no sea de alambre).
3. Seque el producto después de lavarlo.

Desinfección

- Limpie todas las superficies a las que se pueda acceder con desinfectante.

 Encontrará más información sobre los desinfectantes y los métodos recomendados en <https://vah-online.de/en/for-users>.

6 Después del uso

6.1 Eliminación

Proteja el medio ambiente y recicle este producto a través de la planta de reciclaje más próxima cuando llegue al final de su vida útil.

Desmante el producto y sus componentes para separar y reciclar individualmente los diferentes materiales.

La eliminación y el reciclaje de los productos usados y de sus embalajes debe llevarse a cabo conforme a las normativas

legales relativas al tratamiento de residuos vigentes en cada país. Póngase en contacto con su empresa de gestión de residuos local para obtener más información al respecto.

6.2 Reacondicionamiento

El producto se puede reutilizar. Para reacondicionar el producto para un nuevo usuario, lleve a cabo las siguientes acciones:

- Inspección
- Limpieza y desinfección

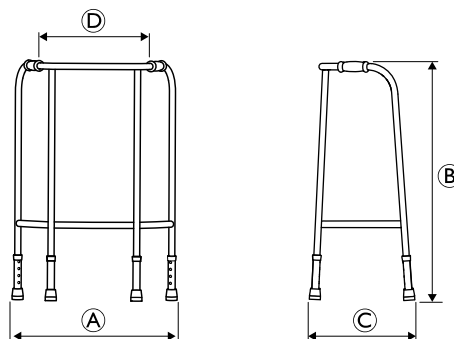
Para obtener información detallada, consulte 5 *Mantenimiento, página 24*.

Asegúrese de que el manual del usuario se entregue con el producto.

Si se detecta algún daño o un funcionamiento deficiente, no reutilice el producto.

7 Datos Técnicos

7.1 Dimensiones y pesos



	Escort P435B
Anchura total A	620–630 mm
Altura total B	770–850 mm
Profundidad total C	390–400 mm
Anchura entre empuñaduras D	360 mm
Peso	2.0 kg
Peso máximo del usuario	130 kg

Todas las dimensiones están sujetas a determinadas tolerancias.

7.2 Materiales

Chasis	Aluminio anodizado
Asas	Elastómero termoplástico
Ruedas	Polipropileno con bandas de rodamiento de elastómero termoplástico
Tornillos	Acero con protección antióxido

1 Généralités

1.1 Introduction

Le présent manuel d'utilisation contient des informations importantes sur la manipulation du produit. Pour garantir une utilisation en toute sécurité du produit, lisez attentivement le manuel d'utilisation et respectez les instructions de sécurité.

Invacare se réserve le droit de modifier les caractéristiques des produits sans préavis.

Avant de lire ce document, assurez-vous de disposer de la version la plus récente. Cette version est disponible au format PDF sur le site Internet d'Invacare.

Si la taille des caractères de la version imprimée du document vous semble trop difficile à lire, vous pouvez télécharger la version PDF sur le site Internet. Vous pourrez alors ajuster la taille des caractères à l'écran pour améliorer votre confort visuel.

En cas d'incident grave avec le produit, vous devez en informer le fabricant et l'autorité compétente de votre pays.

1.2 Symboles figurant dans ce manuel

Les symboles et mots d'avertissement utilisés dans le présent manuel s'appliquent aux risques ou aux pratiques dangereuses qui pourraient provoquer des blessures ou des dommages matériels. Reportez-vous aux informations ci-dessous pour la définition des symboles d'avertissement.



AVERTISSEMENT

Indique une situation dangereuse qui, si elle n'est pas évitée, est susceptible de provoquer des blessures graves, voire mortelles.



ATTENTION

Indique une situation dangereuse qui, si elle n'est pas évitée, est susceptible de provoquer des blessures mineures ou légères.



IMPORTANT

Indique une situation dangereuse qui, si elle n'est pas évitée, est susceptible de provoquer des dommages matériels.



Conseils et recommandations

Donne des conseils, recommandations et informations utiles pour une utilisation efficace et sans souci.

1.3 Conformité

La qualité est un élément fondamental du fonctionnement de notre entreprise, qui travaille conformément à la norme ISO 13485.

Ce produit porte le label CE et est conforme à la Réglementation sur les dispositifs médicaux de classe I 2017/745. La date de lancement de ce produit est indiquée dans la déclaration de conformité CE.

Nous nous efforçons en permanence de réduire au minimum notre impact sur l'environnement, à l'échelle locale et mondiale.

Nous n'utilisons que des matériaux et composants conformes au règlement REACH.

1.4 Durée de vie

La durée de vie attendue de ce produit est de cinq ans lorsqu'il est utilisé quotidiennement et dans le respect des consignes de sécurité, des intervalles de maintenance et avec une utilisation correcte, comme indiqué dans le présent manuel. La durée de vie effective peut varier en fonction de la fréquence et de l'intensité de l'utilisation.

1.5 Informations de garantie

Nous fournissons une garantie fabricant pour le produit, conformément à nos conditions générales de vente en vigueur dans les différents pays.

Les réclamations au titre de la garantie ne peuvent être adressées qu'au fournisseur auprès duquel le produit a été obtenu.

1.6 Limitation de responsabilité

Invacare décline toute responsabilité en cas de dommage lié à :

- un non respect du manuel d'utilisation,
- une utilisation incorrecte,
- l'usure normale,
- un assemblage ou montage incorrect par l'acheteur ou des tiers,
- des modifications techniques,
- des modifications non autorisées et/ou l'utilisation de pièces de rechange inadaptées.

2 Sécurité

2.1 Informations de sécurité générales



AVERTISSEMENT !

Risque de dommage matériel ou de blessure grave

Une utilisation inadéquate de ce produit est susceptible d'entraîner des blessures ou des dommages matériels.

- Si vous ne comprenez pas les avertissements, mises en garde ou instructions, contactez un professionnel de santé ou un fournisseur avant d'essayer d'utiliser cet équipement.
- N'utilisez pas ce produit ni tout autre équipement disponible en option sans avoir lu et compris entièrement les présentes instructions et toute autre documentation d'instructions supplémentaire, telle que le manuel d'utilisation, les manuels de maintenance ou fiches d'instructions fournis avec ce produit ou l'équipement en option.



AVERTISSEMENT !

Risque de blessure grave

Une utilisation incorrecte peut provoquer des situations dangereuses.

- N'utilisez pas le produit dans les escaliers ou les escalators.
- Ne vous mettez pas debout sur le produit.
- Soyez prudent lors de vos déplacements dans des pentes, sur des sols glissants ou sur des surfaces irrégulières.
- Évitez d'essayer de franchir des obstacles, que ce soit en marche avant ou en marche arrière.
- Ne laissez jamais des enfants jouer avec le produit.
- Ne vous asseyez pas sur la traverse et ne vous en servez pas comme support.



AVERTISSEMENT !

Risque de blessure

Une charge lourde ou déséquilibrée peut provoquer un basculement.

- Ne suspendez pas des objets lourds, notamment des sacs, sur le châssis.

**ATTENTION !****Risque de blessure**

Des pièces non adaptées ou qui ne sont pas d'origine peuvent affecter le fonctionnement et la sécurité du produit.

- Utilisez uniquement les pièces d'origine du produit utilisé.
- Du fait de différences régionales, vous devez vous reporter au catalogue ou au site Internet Invacare de votre pays pour connaître les options qui sont disponibles ; vous pouvez également contacter un représentant Invacare. Reportez-vous aux adresses indiquées à la fin du présent document.

**ATTENTION !****Risque de brûlures au premier degré**

Certaines parties du produit peuvent chauffer, lorsqu'elles sont exposées à de hautes températures (températures supérieures à 41 °C).

- Soyez vigilant si le produit est exposé à des températures élevées, comme la lumière directe du soleil.

**IMPORTANT !**

Il existe un risque de dommage dû à l'usure, par exemple la corrosion.

- N'utilisez pas le produit sous l'eau, par exemple dans des piscines.
- N'utilisez pas le produit dans des zones chaudes comme des saunas.
- Ne stockez pas le produit dans un lieu mouillé ou humide.

3 Présentation du produit

3.1 Utilisation prévue

Le dispositif d'aide à la marche est destiné à offrir un support pour les déplacements.

Il convient à une utilisation à l'intérieur et à l'extérieur, sur un sol lisse.

L'utilisateur prévu est un adulte dont le poids maximal correspond au poids indiqué sur l'autocollant d'identification et dans le chapitre 7 *Caractéristiques Techniques*, page 29.

3.2 Indications d'utilisation

Indications

Personnes souffrant d'une déficience musculaire et/ou de troubles de l'équilibre, qui ont besoin d'un soutien supplémentaire pendant la marche. La capacité à marcher et les facultés cognitives restantes doivent être suffisantes pour permettre une utilisation sans risque d'une aide à la marche.

Contre-indications

Personnes souffrant de graves troubles de l'équilibre ou de troubles fonctionnels de la perception.

3.3 Étiquettes et symboles figurant sur le produit

Autocollant d'identification

- Ⓐ Désignation
- Ⓑ Référence
- Ⓒ Date de fabrication
- Ⓓ Numéro de LOT

- Ⓔ Poids maximal de l'utilisateur
- Ⓕ Largeur maximale
- Ⓖ Adresse du fabricant

Symboles

	Conformité européenne		Dispositif médical
	Fabricant		Consulter le manuel d'utilisation
	Date de fabrication		Numéro LOT
	Largeur maximale		Poids maximal de l'utilisateur
	Utilisation à l'intérieur/ l'extérieur		

4 Utilisation

4.1 Avant utilisation

**ATTENTION !****Risque de blessures ou de dommage matériel**

- Avant utilisation, vérifiez le bon fonctionnement général du produit.
- Avant utilisation, vérifiez que le produit n'est pas défectueux.
- N'utilisez pas de produit défectueux.

Invacare présume qu'un professionnel de la santé a procédé à une évaluation individuelle de l'utilisateur afin de déterminer son niveau de risque ou ses exigences en matière de thérapie. Les fournisseurs et les soignants ont estimé que le produit fournissait le support requis et que ses réglages convenaient à l'utilisateur. Un professionnel de santé a formé le soignant et l'utilisateur de manière appropriée à l'utilisation correcte du produit, en toute sécurité.

4.2 Réglage de la hauteur

**Hauteur recommandée**

- Les poignées doivent être positionnées à la hauteur des poignets, l'utilisateur étant en position droite et les bras relâchés. Il se peut que le thérapeute conseille des hauteurs différentes en fonction des besoins spécifiques du client.

**Inconfort/ecchymoses légères**

- Veillez à ne pas vous pincer !



1. Appuyez sur le bouton-pression **A**.
2. Montez ou baissez la rallonge jusqu'à la hauteur souhaitée.
3. Laissez le bouton-pression **A** s'enclencher dans le trou suivant. Assurez-vous que le bouton est complètement enclenché (un déclic se fait entendre).

4.3 Marche

1. Tenez-vous debout entre les deux cadres latéraux et mettez les deux mains sur les poignées.
2. Restez immobile et déplacez/faites glisser le dispositif d'aide à la marche vers l'avant.
3. Faites un pas en avant tout en maintenant fermement le dispositif d'aide à la marche.

4.4 Utilisation des rallonges de pied



AVERTISSEMENT ! Risque de chute

- Lors de l'utilisation d'accessoires à roues sur les pieds avant, les rallonges de pied arrière doivent être ajustées pour que les cadres latéraux soient à niveau.
- Le cas échéant, les rallonges de pied avec roues doivent être installées avec les roues à l'extérieur du cadre de marche.



Consultez la section « Réglage de la hauteur » pour plus d'informations.

5 Maintenance

5.1 Informations de maintenance générales



AVERTISSEMENT ! Risque de blessure

- La maintenance doit être réalisée au moins une fois par an.
- N'utilisez pas de produit défectueux.
- N'essayez pas de le réparer vous-même. Pour les réparations, contactez votre fournisseur.

5.2 Liste de vérification

Pour garantir une bonne performance et la sécurité, vérifiez régulièrement votre produit.

- Assurez-vous que toutes les vis et fixations sont bien serrées. (Le cas échéant)
- Assurez-vous que les poignées sont bien serrées. Si les poignées sont desserrées, n'utilisez pas le dispositif d'aide à la marche. Les instructions de modification des poignées peuvent être obtenues auprès de votre fournisseur ou de votre distributeur Invacare.
- Vérifiez que le châssis et les pièces chargées sont exempts de fissures.
- Vérifiez le serrage, l'usure et l'état des roues. (Le cas échéant)
- Assurez-vous de l'absence de poils/cheveux, peluches ou autres débris dans les roues. (Le cas échéant)
- Assurez-vous que les embouts en caoutchouc et/ou les patins coulissants en plastique ne sont pas arrachés, usés ou manquants. (Le cas échéant)

5.3 Nettoyage et désinfection

Informations de sécurité générales



ATTENTION ! Risque de contamination

- Prenez toutes les précautions nécessaires pour vous protéger et portez un équipement de protection adéquat.



IMPORTANT !

- Des méthodes ou des liquides inappropriés risqueraient de blesser quelqu'un ou d'endommager le produit.
- Tous les désinfectants et agents de nettoyage utilisés doivent être efficaces, compatibles entre eux et protéger les surfaces qu'ils sont censés nettoyer.
 - N'utilisez jamais d'agents de nettoyage corrosifs (alcalins, acides, etc.) ou abrasifs. Nous recommandons d'utiliser un agent de nettoyage ménager ordinaire, comme du liquide vaisselle, sauf indication contraire dans les instructions de nettoyage.
 - N'utilisez jamais de solvant (diluants cellulose, acétone, etc.) qui modifie la structure du plastique ou dissout les étiquettes apposées.
 - Procédez à un séchage complet du produit avant toute nouvelle utilisation.



Pour le nettoyage et la désinfection en environnement clinique ou de soins à long terme, suivez les procédures internes.

Fréquence de nettoyage



IMPORTANT !

Une désinfection et un nettoyage régulier garantissent un bon fonctionnement, augmentent la durée de vie et permettent d'éviter toute contamination.

Nettoyez et désinfectez le produit

- régulièrement lors de son utilisation,
- avant et après toute procédure d'entretien,
- lorsqu'il a été en contact avec des fluides corporels, quels qu'ils soient,
- avant de l'utiliser pour un nouvel utilisateur.

Instructions de nettoyage

Le produit peut être nettoyé en machine ou à la main.

Lors de l'utilisation d'un nettoyeur à haute pression ou d'un jet d'eau ordinaire, ne dirigez pas le jet vers les roulements, les trous d'écoulement ou les étiquettes.

La température maximale de nettoyage est de 60 °C. N'utilisez pas de nettoyeur à vapeur.

1. Nettoyez l'aide à la marche avec un chiffon humide et un détergent doux.
2. Nettoyez les roues avec une brosse (pas de brosse métallique).
3. Après le lavage, essuyez le produit.

Désinfection

- Essuyez toutes les surfaces généralement accessibles avec un désinfectant.



Des informations complémentaires sur les méthodes et les désinfectants recommandés peuvent être consultées à l'adresse <https://vah-online.de/en/for-users>.

6 Après l'utilisation

6.1 Mise au rebut

Préservez l'environnement en faisant recycler ce produit en fin de vie dans un centre de recyclage.

Désassemblez le produit et ses composants afin que les différents matériaux puissent être séparés et recyclés individuellement.

La mise au rebut et le recyclage des produits usagés et de l'emballage doivent respecter la législation et les règlements relatifs à la gestion des déchets de chaque pays. Contactez votre organisme local de traitement des déchets pour plus d'informations.

6.2 Reconditionnement

Ce produit peut être réutilisé. Pour reconditionner le produit en vue de son utilisation par un nouvel utilisateur, il convient d'effectuer les opérations suivantes :

- Inspection
- Nettoyage et désinfection

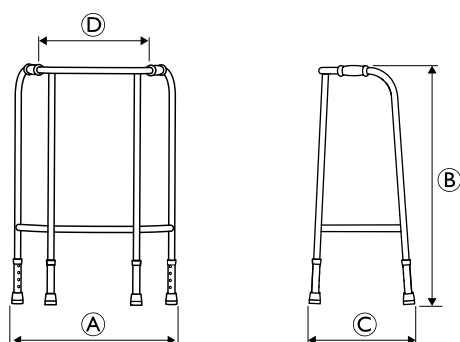
Reportez-vous à la section 5 *Maintenance*, page 28 pour plus d'informations.

Assurez-vous de remettre le manuel d'utilisation avec le produit.

Si un dommage ou un dysfonctionnement est détecté, le produit ne doit pas être réutilisé.

7 Caractéristiques Techniques

7.1 Dimensions et poids



	Escort P435B
Largeur totale A	620–630 mm
Hauteur totale B	770–850 mm
Profondeur totale C	390–400 mm
Largeur entre les poignées D	360 mm
Poids	2.0 kg
Poids maximal de l'utilisateur	130 kg

Toutes les dimensions sont soumises à certaines tolérances.

7.2 Matériau

Cadre	Aluminium anodisé
Poignées	TPE
Roues	Polypropylène avec sculptures en PVC
Vis	Acier inoxydable

1 Generale

1.1 Introduzione

Il presente manuale d'uso contiene informazioni importanti sul trattamento del prodotto. Per garantire la sicurezza di utilizzo del prodotto, leggere attentamente il manuale d'uso e seguire le istruzioni di sicurezza.

Invacare si riserva il diritto di modificare le specifiche del prodotto senza ulteriore preavviso.

Prima di leggere il presente documento, verificare di essere in possesso dell'ultima versione, disponibile in formato PDF sul sito web Invacare.

Se si ritiene che la dimensione dei caratteri nella versione cartacea del documento sia di difficile lettura, è possibile scaricare dal sito web la versione in formato PDF. Il PDF può essere ingrandito sullo schermo in modo da ottenere una dimensione dei caratteri più facile da leggere.

In caso di incidente grave relativo al prodotto, è necessario informare il produttore e l'autorità competente nel proprio paese.

1.2 Simboli in questo manuale

In questo manuale tutte quelle situazioni non sicure o pericolose che possono portare a lesioni alle persone o danni ai materiali sono evidenziate mediante simboli e avvertimenti. Qui di seguito sono riportate le spiegazioni di tutti i possibili avvertimenti.



ATTENZIONE

Indica una situazione pericolosa che, se non evitata, potrebbe essere causa di morte o lesioni gravi.



AVVERTENZA

Indica una situazione pericolosa che, se non evitata, potrebbe essere causa di lesioni minori o leggere.



IMPORTANTE

Indica una situazione pericolosa che, se non evitata, potrebbe essere causa di danni al prodotto.



Consigli e raccomandazioni

Indica consigli, raccomandazioni e informazioni utili per un uso efficace e senza inconvenienti.

1.3 Conformità

La qualità è fondamentale per l'azienda, che opera nel rispetto e nell'ambito della norma ISO 13485.

Il prodotto è dotato di marchio CE, in conformità al Regolamento Dispositivi Medici 2017/745 Classe I. La data di lancio di questo prodotto è indicata nella dichiarazione di conformità CE.

Lavoriamo costantemente per garantire che l'impatto ambientale dell'azienda a livello locale e globale sia ridotto al minimo.

Garantiamo di utilizzare esclusivamente materiali e componenti conformi alla direttiva REACH.

1.4 Durata

La durata prevista per questo prodotto è di cinque anni, a condizione che sia utilizzato quotidianamente e in conformità alle istruzioni per la sicurezza, seguendo gli intervalli di manutenzione e le indicazioni per un uso corretto come indicato nel presente manuale. La durata effettiva può variare a seconda della frequenza e dell'intensità d'uso.

1.5 Informazioni sulla garanzia

Offriamo una garanzia del produttore per il prodotto in conformità di quanto indicato sui Termini e le condizioni generali di vendita applicabili nei rispettivi paesi.

La garanzia può essere fatta valere solo attraverso il fornitore presso il quale è stato acquistato il prodotto.

1.6 Limiti di responsabilità

Invacare non si assume alcuna responsabilità per danni derivanti da:

- Non conformità con il manuale d'uso
- Utilizzo non corretto
- Consumo e usura naturali
- Montaggio o preparazione non corretti da parte dell'acquirente o di terzi
- Modifiche tecniche
- Modifiche non autorizzate e/o utilizzo di pezzi di ricambio non adatti

2 Sicurezza

2.1 Informazioni generali sulla sicurezza



ATTENZIONE!

Pericolo di lesioni gravi o danni

Un uso improprio del prodotto può causare lesioni o danni.

- In presenza di messaggi di attenzione, precauzioni o istruzioni di difficile comprensione, contattare il personale medico professionale o il fornitore prima di iniziare a utilizzare questo prodotto.
- Non usare questo prodotto o nessun altro dispositivo opzionale disponibile senza prima aver letto attentamente e compreso fino in fondo le presenti istruzioni e ogni altro materiale informativo, come il manuale d'uso, il manuale per la manutenzione o i fogli di istruzione forniti con questo prodotto o con i dispositivi opzionali.



ATTENZIONE!

Pericolo di lesione grave

Un utilizzo non corretto può causare situazioni pericolose.

- Non utilizzare il prodotto su scale mobili o altre scale.
- Non salire in piedi sul prodotto.
- Procedere con cautela quando si cammina su superfici in pendenza, scivolose o irregolari.
- Evitare di scontrarsi con ostacoli, sia procedendo in avanti che all'indietro.
- Non permettere ai bambini di giocare con il prodotto
- Non sedersi sulla barra trasversale né utilizzare la barra trasversale come sostegno.



ATTENZIONE!

Pericolo di lesioni

Un carico sbilanciato o pesante può causare un ribaltamento.

- Non sospendere carichi, ad esempio borse, al telaio.



AVVERTENZA!

Pericolo di lesioni

Componenti non originali o non corretti possono alterare il funzionamento e la sicurezza del prodotto.

- Utilizzare esclusivamente componenti originali per il prodotto in uso.
- In considerazione delle differenze regionali, fare riferimento al catalogo o al sito web locale di Invacare per conoscere le opzioni disponibili oppure contattare il rappresentante locale Invacare. Vedere gli indirizzi alla fine del presente documento.



AVVERTENZA!

Rischio di ustioni di primo grado

Alcune parti del prodotto potrebbero riscaldarsi se esposti a temperature elevate (superiori a 41 °C).

- Prestare attenzione se il prodotto è esposto a temperature elevate, ad esempio alla luce diretta del sole.



IMPORTANTE!

Vi è il rischio di danni dovuti all'usura, ad esempio alla corrosione.

- Non utilizzare il prodotto sott'acqua, ad esempio in vasche.
- Non utilizzare il prodotto in ambienti caldi come le saune.
- Non conservare il prodotto in ambienti bagnati e umidi.

3 Panoramica del prodotto

3.1 Uso previsto

L'ausilio per la deambulazione è destinato a sostenere le persone mentre camminano.

L'ausilio per la deambulazione è adatto per l'uso all'interno e all'esterno su terreni omogenei.

L'utilizzatore previsto è un adulto con peso massimo utilizzatore indicato sull'etichetta del prodotto e nel capitolo 7 *Dati Tecnici*, pagina 32.

3.2 Indicazioni per l'uso

Indicazioni

Persone con indebolimento della forza muscolare e/o dell'equilibrio che necessitano di un ulteriore supporto mentre camminano. La capacità di deambulazione e cognitiva residua deve essere sufficiente per un utilizzo in sicurezza dell'ausilio per la deambulazione.

Controindicazioni

Persone con gravi disturbi dell'equilibrio o disturbi percettivi funzionali.

3.3 Etichette e simboli sul prodotto






Etichetta modello



- Ⓐ Denominazione prodotto
- Ⓑ Numero di parte
- Ⓒ Data di produzione
- Ⓓ Numero LOT
- Ⓔ Peso max. utilizzatore
- Ⓕ Larghezza massima
- Ⓖ Indirizzo del produttore

Simboli

	Conformità europea		Dispositivo medico
	Produttore		Leggere il manuale d'uso

	Data di produzione		Codice LOT
	Larghezza massima		Peso max. utilizzatore
	Usò all'interno / all'esterno		

4 Uso

4.1 Prima dell'uso



AVVERTENZA!

Pericolo di lesioni o danni al prodotto

- Prima dell'uso, verificare il funzionamento generale del prodotto.
- Prima dell'uso, controllare che il prodotto non presenti difetti.
- Non utilizzare un prodotto difettoso.

Invacare presume che un operatore sanitario abbia fatto una valutazione individuale dell'utilizzatore per determinarne suo livello di rischio o i requisiti terapeutici. I fornitori e gli assistenti hanno valutato che il prodotto fornisce il supporto necessario e che le sue regolazioni sono appropriate per l'utilizzatore. L'assistente e l'utilizzatore sono stati adeguatamente addestrati da un operatore sanitario su come utilizzare il prodotto in modo corretto e sicuro.

4.2 Regolazione dell'altezza



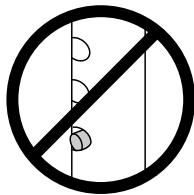
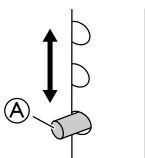
Altezza raccomandata

- Le maniglie dovrebbero essere posizionate le due sezioni laterali del telaio. Il terapeuta può suggerire altezze differenti in base alle esigenze specifiche del cliente.



Fastidi/Lievi contusioni

- Fare attenzione al rischio di pizzicamento.



1. Premere il pulsante a scatto (A).
2. Far scorrere in alto o in basso la prolunga sino a raggiungere l'altezza desiderata.
3. Far scattare il pulsante a scatto (A) nel foro successivo. Assicurarsi che il pulsante scatti correttamente in posizione.

4.3 Deambulazione

1. Posizionarsi in piedi tra i due telai laterali e appoggiare entrambe le mani sulle maniglie.
2. Rimanere fermi e spostare/far scorrere l'ausilio per deambulazione in avanti.
3. Fare un passo in avanti tenendosi saldamente all'ausilio per deambulazione.

4.4 Utilizzo delle prolunghie delle gambe



ATTENZIONE!

Pericolo di caduta

- In caso di applicazione di ruote anteriori, le gambe posteriori devono essere regolate e portate alla stessa altezza anteriore.
- Se possibile, le gambe con ruote devono essere montate con le ruote rivolte verso l'esterno rispetto al deambulatore.



Per ulteriori informazioni, consultare la sezione "Regolazione dell'altezza".

5 Manutenzione

5.1 Informazioni generali per la manutenzione



ATTENZIONE!

Pericolo di lesioni

- La manutenzione deve essere effettuata almeno una volta l'anno.
- Non utilizzare un prodotto difettoso.
- Non tentare di ripararlo da soli. Per la riparazione, rivolgersi al proprio fornitore.

5.2 Elenco di spunta dei controlli

Per garantire buone prestazioni e sicurezza, controllare regolarmente il prodotto.

- Assicurarsi che tutte le viti e i dispositivi di regolazione siano serrati correttamente. (Se applicabile)
- Assicurarsi che le impugnature siano serrate. Non utilizzare l'ausilio per la deambulazione se le impugnature sono allentate. Le istruzioni su come modificare le impugnature si possono richiedere al proprio fornitore o distributore Invacare.
- Ispezionare il telaio e le parti cariche per eventuali crepe.
- Controllare la tenuta, l'usura ed eventuali danni alle ruote orientabili. (Se applicabile)
- Accertarsi che le ruote siano prive di capelli, pelucchi o altri residui. (Se applicabile)
- Controllare che i puntali in gomma e/o i puntali di strisciamento in plastica non siano fessurati, consumati o mancanti. (Se applicabile)

5.3 Pulizia e disinfezione

Informazioni generali sulla sicurezza



AVVERTENZA!

Rischio di contaminazione

- Adottare opportune precauzioni per la propria protezione e utilizzare un'attrezzatura protettiva adeguata.

! IMPORTANTE!

- Liquidi inappropriati o metodi errati potrebbero danneggiare il prodotto.
- Tutti i prodotti detergenti e disinfettanti utilizzati devono essere efficaci e compatibili tra loro e devono proteggere i materiali su cui vengono utilizzati durante la pulizia.
 - Non utilizzare mai liquidi corrosivi (sostanze alcaline, acidi, ecc.) o detergenti abrasivi. Si consiglia di utilizzare un normale prodotto detergente per la casa, come un detersivo liquido per i piatti, a meno che non siano state fornite indicazioni diverse nelle istruzioni di pulizia.
 - Non utilizzare mai solventi (diluente per cellulosa, acetone, ecc.) che modificano la struttura della plastica o che sciolgono le etichette applicate.
 - Prima di utilizzare il prodotto, assicurarsi sempre che sia completamente asciutto.

i Per la pulizia e la disinfezione in ambienti clinici o di assistenza a lungo termine, seguire le procedure interne della struttura.

Intervalli di pulizia**! IMPORTANTE!**

- La pulizia e la disinfezione regolari consentono di assicurare il regolare e buon funzionamento, aumentare la durata e prevenire la contaminazione. Pulire e disinfettare regolarmente il prodotto.
- durante l'uso,
 - prima e dopo qualsiasi procedura di manutenzione,
 - in caso di contatto con liquidi biologici,
 - prima dell'uso per un nuovo utilizzatore.

Istruzioni per la pulizia

Il prodotto può essere lavato utilizzando una macchina per il lavaggio o a mano.

Quando si utilizza un detergente ad alta pressione o un normale getto d'acqua, non puntare il getto verso i cuscinetti, i fori di drenaggio o le etichette.

La temperatura massima di pulizia è di 60 °C. Non utilizzare sistemi di pulizia a vapore.

1. Pulire l'ausilio per la deambulazione con un panno umido e un detergente delicato.
2. Pulire le ruote con una spazzola (non metallica).
3. Dopo il lavaggio asciugare il prodotto con un panno.

Disinfezione

- Pulire tutte le superfici generalmente accessibili con un panno e un disinfettante.

i Informazioni sui disinfettanti e i metodi consigliati sono disponibili all'indirizzo <https://vah-online.de/en/for-users>.

6 Dopo l'utilizzo**6.1 Smaltimento**

Rispettare l'ambiente e riciclare il prodotto attraverso un centro di riciclaggio locale al termine del suo utilizzo.

Smontare il prodotto e i relativi componenti, in modo che i differenti materiali possano essere staccati e riciclati singolarmente.

Lo smaltimento e il riciclaggio dei prodotti usati e degli imballaggi devono essere eseguiti nel rispetto delle leggi e delle normative in materia di gestione dei rifiuti vigenti in ciascun paese. Per ulteriori informazioni, contattare la propria azienda di raccolta rifiuti locale.

6.2 Ricondizionamento

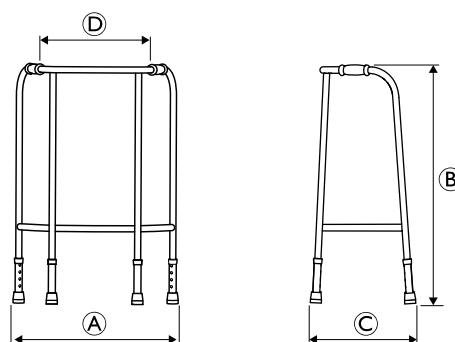
Questo prodotto è adatto per il riutilizzo. Per il ricondizionamento del prodotto per un nuovo utilizzatore, intraprendere le azioni seguenti:

- Ispezione
- Pulizia e disinfezione

Per ulteriori informazioni, consultare *5 Manutenzione, pagina 31*.

Assicurarsi che il manuale d'uso venga sempre consegnato insieme al prodotto.

Se si riscontrano danni o malfunzionamenti, non riutilizzare il prodotto.

7 Dati Tecnici**7.1 Dimensioni e pesi**

	Escort P435B
Larghezza totale A	620–630 mm
Altezza totale B	770–850 mm
Profondità totale C	390–400 mm
Distanza tra le maniglie D	360 mm
Peso	2.0 kg
Peso max. utilizzatore	130 kg

Tutte le dimensioni sono soggette a tolleranze.

7.2 Materiale

Telaio	Alluminio anodizzato
Impugnature	TPE
Ruote	Polipropilene con battistrada in PVC
Viti	Acciaio, con protezione antiruggine

1 Algemeen**1.1 Inleiding**

Deze gebruikershandleiding bevat belangrijke informatie over het gebruik van dit product. Lees de gebruikershandleiding aandachtig door en volg de veiligheidsinstructies, zodat u zeker weet dat u het product veilig gebruikt.

Invacare behoudt zich het recht voor om productspecificaties zonder voorafgaande kennisgeving te wijzigen.

Controleer voordat u dit document leest of u de juiste versie hebt. U vindt een pdf-bestand met de laatste versie op de Invacare-website.

Als u de lettergrootte in de gedrukte versie van het document moeilijk kunt lezen, kunt u een pdf-versie downloaden van de website. In de pdf-versie kunt u de letters op het scherm aanpassen tot een grootte die u prettiger vindt.

In geval zich een ernstig incident met het product voordoet, dient u de fabrikant en de bevoegde instantie in uw land daarvan op de hoogte te brengen.

1.2 Symbolen in deze handleiding

In deze handleiding worden waarschuwingen aangeduid met symbolen. De waarschuwingssymbolen worden vergezeld van een kop die de ernst van het gevaar aangeeft.



WAARSCHUWING

Duidt op een gevaarlijke situatie die kan leiden tot ernstig letsel of overlijden als de situatie niet wordt vermeden.



VOORZICHTIG

Duidt op een gevaarlijke situatie die kan leiden tot licht of klein letsel als de situatie niet wordt vermeden.



BELANGRIJK

Duidt op een gevaarlijke situatie die kan leiden tot materiële schade als de situatie niet wordt vermeden.



Tips en adviezen

Hier worden nuttige tips, adviezen en informatie voor efficiënt, probleemloos gebruik gegeven.

1.3 Naleving

Kwaliteit is cruciaal bij onze bedrijfsactiviteiten, waarbij wordt gewerkt binnen de normen van ISO 13485.

Dit product is voorzien van het CE-merkteken conform Verordening 2017/745 betreffende medische hulpmiddelen, klasse I. De introductiedatum van dit product staat vermeld in de CE-conformiteitsverklaring.

Wij werken er continu aan om ervoor te zorgen dat het effect van het bedrijf op het milieu, zowel lokaal als internationaal, zo veel mogelijk wordt beperkt.

Wij maken uitsluitend gebruik van materialen en onderdelen die voldoen aan de REACH-richtlijnen.

1.4 Levensduur

De verwachte levensduur van dit product is vijf jaar bij dagelijks gebruik en in overeenstemming met de veiligheidsinstructies, onderhoudstermijnen en bij correct gebruik, zoals aangegeven in deze handleiding. De effectieve levensduur kan variëren afhankelijk van de frequentie en intensiteit van het gebruik.

1.5 Garantie-informatie

Wij bieden voor dit product een fabrieksgarantie in overeenstemming met onze Algemene Voorwaarden in de respectievelijke landen.

Garantieclaims kunnen alleen worden ingediend via de dealer bij wie u het product hebt gekocht.

1.6 Aansprakelijkheidsbeperking

Invacare aanvaardt geen aansprakelijkheid voor schade veroorzaakt door:

- Niet in acht nemen van de gebruikershandleiding
- Verkeerd gebruik

- Normale slijtage
- Verkeerde montage of afstelling door de koper of een derde
- Technische aanpassingen
- Niet-geautoriseerde wijzigingen en/of gebruik van ongeschikte reserveonderdelen

2 Veiligheid

2.1 Algemene veiligheidsinformatie



WAARSCHUWING!

Kans op ernstig letsel of schade

Verkeerd gebruik van dit product kan leiden tot schade of lichamelijk letsel.

- Als u de waarschuwingen, aanwijzingen of instructies niet begrijpt, neem dan contact op met een professionele zorgverlener of leverancier voordat u dit hulpmiddel gebruikt.
- Gebruik dit product of de beschikbare optionele apparatuur alleen als u deze instructies en het eventuele aanvullende instructiemateriaal volledig hebt doorgelezen en begrepen, met inbegrip van de gebruikershandleiding, servicehandleidingen of instructiebladen die bij dit product of de optionele apparatuur worden verstrekt.



WAARSCHUWING!

Risico van ernstig letsel

Onjuist gebruik kan tot gevaarlijke situaties leiden.

- Gebruik het product niet op een (rol)trap.
- Ga niet op dit product staan.
- Let extra goed op wanneer u op een hellende, glibberige of oneffen ondergrond loopt.
- Probeer zowel in voorwaartse als achterwaartse looprichting nergens tegen aan te botsen.
- Laat kinderen niet met het product spelen
- Ga niet op de dwarsstang zitten en gebruik deze ook niet als steun.



WAARSCHUWING!

Gevaar voor lichamelijk letsel

Bij een te grote belasting kan het loophulpmiddel uit balans raken en kantelen

- Hang geen gewicht, bijvoorbeeld een tas, aan het frame.



LET OP!

Gevaar voor lichamelijk letsel

Niet-originele of verkeerde onderdelen kunnen de werking en veiligheid van het product nadelig beïnvloeden.

- Gebruik alleen originele onderdelen voor het product dat u gebruikt.
- Omdat er verschillen zijn per regio, kunt u het beste de Invacare-catalogus of -website in uw regio raadplegen voor de beschikbare opties. U kunt ook contact opnemen met uw lokale Invacare-vertegenwoordiger. Zie de adressen achter in dit document.



LET OP!

Risico op eerstegraads brandwonden

Bepaalde onderdelen van het product kunnen heet worden bij blootstelling aan een temperatuur van meer dan 41 °C.

- Wees voorzichtig wanneer het product wordt blootgesteld aan hoge temperaturen, zoals in direct zonlicht.



BELANGRIJK!

- Er bestaat een risico op schade als gevolg van slijtage, zoals roestvorming.
- Gebruik het product niet onder water, zoals in het zwembad.
- Gebruik het product niet in een hete omgeving, zoals een sauna.
- Bewaar het product niet in een vochtige of natte omgeving.

3 Productoverzicht

3.1 Bedoeld gebruik

Het loophulpmiddel is bedoeld als ondersteuning bij het lopen.

Het loophulpmiddel is geschikt voor binnen- en buitengebruik op een vlakke ondergrond.

De beoogde gebruiker is een volwassene met een maximaal gebruikersgewicht zoals vermeld op het productlabel en in hoofdstuk 7 *Technische Specificaties, pagina 36*.

3.2 Indicaties voor gebruik

Indicaties

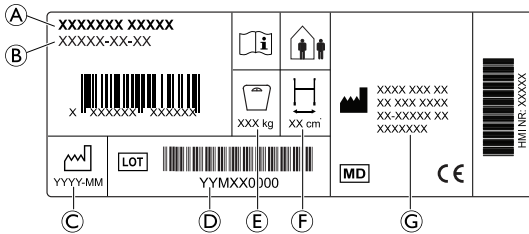
Personen met verminderde spierkracht en/of balans die extra steun nodig hebben bij het lopen. Voor veilig gebruik van een loophulpmiddel dient het loop- en cognitieve vermogen van de gebruiker nog voldoende te zijn.

Contra-indicaties

Personen met een ernstige evenwichtsstoornis of een functionele waarnemingsstoornis.

3.3 Typeplaatjes en symbolen op het product

Typeplaatje



- Ⓐ Productnaam
- Ⓑ Onderdeelnummer
- Ⓒ Fabricagedatum
- Ⓓ LOT-nummer
- Ⓔ Maximaal gebruikersgewicht
- Ⓕ Maximale breedte
- Ⓖ Adres van de fabrikant

Symbolen

	Conformiteit met Europese normen		Medisch hulpmiddel
	Fabrikant		Lees de gebruikershandleiding
	Fabricagedatum		LOT-nummer
	Maximale breedte		Maximum gebruikersgewicht
	Gebruik binnens- en buitenshuis		

4 Gebruik

4.1 Vóór gebruik



LET OP!

Risico op letsel of beschadiging van eigendommen

- Controleer vóór gebruik de algemene werking van het product.
- Controleer het product vóór gebruik op defecten.
- Gebruik het product niet als het defect is.

Invacare gaat ervan uit dat een professionele zorgverlener een individuele beoordeling van de gebruiker heeft gemaakt om zijn risiconiveau of therapeutische eisen te bepalen. Leveranciers en zorgverleners hebben beoordeeld dat het product de vereiste ondersteuning biedt en dat het op de juiste manier is aangepast voor de gebruiker. De verzorger en de gebruiker zijn voldoende door een professionele zorgverlener getraind in het correcte en veilige gebruik van het product.

4.2 De hoogte aanpassen



Aanbevolen hoogte

- Stel de handgrepen af ter hoogte van de polsen van een gebruiker die rechtop staat met ontspannen armen. Een therapeut kan een andere hoogte adviseren, afhankelijk van de specifieke behoeften van de cliënt.



Ongemak/lichte kneuzingen

- Beknellingsgevaar voor vingers.



1. Druk op de stelpin Ⓐ.
2. Schuif het verlengstuk omhoog of omlaag totdat de gewenste hoogte is bereikt.
3. Laat de stelpin Ⓐ in het eerstvolgende gat klikken. U hoort een klik wanneer de stelpin volledig vastzit.

4.3 Lopen

1. Ga tussen de twee zijframes staan en houd beide handen op de handgrepen.
2. Blijf stilstaan en beweeg/schuif het loophulpmiddel naar voren.
3. Doe een stap naar voren terwijl u het loophulpmiddel stabiel houdt.


4.4 Pootverlengstukken gebruiken



WAARSCHUWING!

Risico op vallen

- Bij het gebruik van wielbevestigingen op de voorpoten moeten de verlengstukken van de achterpoten aangepast worden om de zijframes horizontaal te maken.
- Indien van toepassing, moeten de pootverlengstukken met wieltjes worden gemonteerd met de wielen aan de buitenkant van het loopframe.

 Zie paragraaf "De hoogte aanpassen" voor meer informatie.

5 Onderhoud

5.1 Algemene informatie over onderhoud



WAARSCHUWING!

Gevaar voor lichamelijk letsel

- Onderhoud dient minstens eenmaal per jaar plaats te vinden.
- Gebruik het product niet als het defect is.
- Probeer nooit iets zelf te repareren. Neem voor reparaties contact op met uw leverancier.

5.2 Controlelijst voor inspectie

Inspecteer het product regelmatig voor een goede en veilige werking.

- Controleer of alle schroeven en aanpassingen goed vastzitten. (Indien van toepassing.)
- Controleer of alle handgrepen goed vastzitten. Gebruik het loophulpmiddel niet als de handgrepen loszitten. Instructies voor het wijzigen van handgrepen kunt u opvragen bij uw leverancier of Invacare-vertegenwoordiger.
- Controleer het frame en belaste onderdelen op barsten.
- Controleer de wielen regelmatig op loszitten, slijtage en beschadiging. (Indien van toepassing.)
- Zorg dat de wielen vrij zijn van haar, pluisjes en ander vuil. (Indien van toepassing.)
- Zorg ervoor dat de rubberen doppen en/of plastic glijdoppen niet gescheurd of versleten zijn, of ontbreken. (Indien van toepassing.)

5.3 Reiniging en desinfectie

Algemene veiligheidsinformatie



LET OP!

Besmettingsgevaar

- Tref voorzorgsmaatregelen voor uw eigen veiligheid en gebruik de juiste beschermingsuitrusting.



BELANGRIJK!

Het gebruik van de verkeerde vloeistoffen of methoden kan het product aantasten of beschadigen.

- Alle gebruikte reinigings- en desinfecteringsmiddelen moeten effectief zijn, met elkaar gecombineerd kunnen worden en de te reinigen materialen beschermen.
- Gebruik nooit bijtende vloeistoffen (zuren, basen enzovoort) of schurende reinigingsmiddelen. We raden u aan een gewoon huishoudelijk reinigingsmiddel zoals vaatwasmiddel te gebruiken, indien in de reinigingsinstructies geen ander middel wordt voorgeschreven.
- Gebruik nooit een oplosmiddel (thinner, aceton en dergelijke) waardoor de structuur van de kunststof kan veranderen of labels kunnen loslaten.
- Zorg altijd dat het product volledig droog is voordat u het weer in gebruik neemt.



Volg voor reiniging en desinfectie in klinische omgevingen of omgevingen voor langdurige zorg de intern ingestelde procedures.

Reinigingsintervallen



BELANGRIJK!

Regelmatig reinigen en desinfecteren zorgt voor een soepele werking, verhoogt de levensduur en voorkomt besmetting.

Reinig en desinfecteer dit product

- regelmatig als het wordt gebruikt;
- voor en na onderhoudswerkzaamheden;
- als het in contact is gekomen met lichaamsvocht;
- voordat een nieuwe gebruiker er gebruik van maakt.

Reinigingsinstructies

Het product kan in een speciale wasmachine of handmatig worden gewassen.

Richt de straal van een hogedrukreiniger of een normale waterslang niet op de lagers, afvoergaten of labels.

De maximale reinigingstemperatuur is 60 °C. Geen stoomreiniger gebruiken.

1. Reinig het loophulpmiddel met een vochtige doek en een mild reinigingsmiddel.
2. Reinig de wielen met een borstel (geen staalborstel).
3. Droog het product af na het reinigen.

Desinfectie

- Neem alle algemeen toegankelijke oppervlakken af met een desinfectiemiddel.



Informatie over aanbevolen desinfectiemiddelen en -methoden vindt u op <https://vah-online.de/en/for-users>.

6 Na gebruik

6.1 Afvoeren

Wij hopen dat u voldoende milieubewust bent om dit product na de levensduur naar een afvalverwerkingsstation te brengen.

Haal het product en de onderdelen ervan uit elkaar, zodat de verschillende materialen afzonderlijk kunnen worden gerecycled.

Gebruikte producten en verpakkingen moeten worden afgevoerd en gerecycled overeenkomstig de wet- en regelgeving voor afvalverwerking in het betreffende land. Neem contact op met uw plaatselijke afvalverwerkingsbedrijf voor meer informatie.

6.2 Geschikt maken voor hergebruik

Dit product is geschikt voor hergebruik. Om het product voor een nieuwe gebruiker gebruiksklaar te maken, voert u de volgende handelingen uit:

- Inspectie
- Schoonmaken en desinfecteren

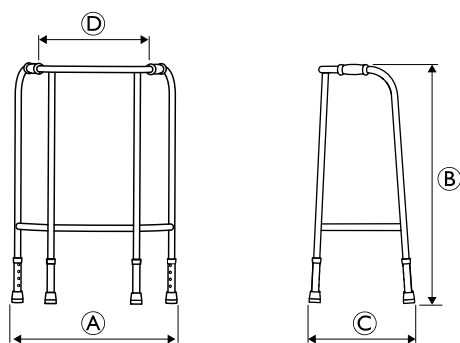
Zie 5 *Onderhoud*, pagina 35 voor gedetailleerde informatie.

Zorg ervoor dat de gebruikershandleiding samen met het product wordt overhandigd.

Hergebruik het product niet als er schade of afwijkingen zijn geconstateerd.

7 Technische Specificaties

7.1 Afmetingen en gewichten



	Escort P435B
Totale breedte A	620-630 mm
Totale hoogte B	770-850 mm
Totale diepte C	390-400 mm
Breedte tussen de handgrepen B	360 mm
Gewicht	2.0 kg
Max. gebruikersgewicht	130 kg

Voor alle afmetingen gelden bepaalde toleranties.

7.2 Materiaal

Frame	Geanodiseerd aluminium
Handgrepen	TPE
Wielen	Polypropyleen met pedalen van thermoplastisch elastomeer (PVC)
Schroeven	Staal, roestwerend

pt

1 Geral

1.1 Introdução

Este manual de utilização contém informações importantes sobre o manuseamento do produto. Para garantir a segurança durante a utilização do produto, leia atentamente o manual de utilização e siga as instruções de segurança.

A Invacare reserva-se o direito de alterar as especificações do produto sem aviso prévio.

Antes de ler este documento, certifique-se de que tem a versão mais recente. A versão mais recente está disponível no site da Invacare, em formato PDF.

Se o tamanho do tipo de letra no documento impresso for difícil de ler, pode transferir uma versão em PDF do manual a partir do site. A imagem do PDF pode ser ajustada no ecrã para um tamanho de tipo de letra que lhe seja mais cómodo.

Em caso de incidente grave com o produto, deve informar o fabricante e as autoridades competentes do seu país.

1.2 Símbolos utilizados neste manual

Neste manual, as advertências são indicadas por símbolos. Os símbolos de advertência são acompanhados por um cabeçalho que indica a gravidade do perigo.



ADVERTÊNCIA

Indica uma situação perigosa que, se não for evitada, poderá resultar em morte ou em lesões graves.



CUIDADO

Indica uma situação perigosa que, se não for evitada, poderá resultar em lesões menores ou ligeiras.



IMPORTANTE

Indica uma situação perigosa que, se não for evitada, poderá resultar em danos à propriedade.



Sugestões e recomendações

Sugestões, recomendações e informações úteis para uma utilização eficiente e sem problemas.

1.3 Conformidade

A qualidade é fundamental para o funcionamento da empresa, estando em conformidade com a norma ISO 13485.

Este produto apresenta a marca CE, em conformidade com o Regulamento de dispositivos médicos 2017/745, Classe I. A data de lançamento deste produto é indicada na declaração de conformidade da CE.

Temos empreendido um esforço contínuo para reduzir ao mínimo o impacto local e global da empresa no ambiente.

Apenas utilizamos materiais e componentes que cumprem a diretiva REACH.

1.4 Vida útil

A vida útil prevista deste produto é de cinco anos, quando o mesmo é utilizado diariamente e em conformidade com as instruções de segurança, intervalos de manutenção e utilização correcta indicados neste manual. A vida útil efectiva pode variar de acordo com a frequência e intensidade de utilização.

1.5 Informações da garantia

Facultamos uma garantia de fabrico para o produto, em conformidade com os nossos Termos e Condições Gerais de Compra nos respetivos países.

As reclamações de garantia só podem ser realizadas através do fornecedor ao qual o produto foi adquirido.

1.6 Limitação de responsabilidade

A Invacare não aceita a responsabilidade por danos decorrentes de:

- Incumprimento das instruções presentes no manual de utilização
- Utilização incorreta
- Desgaste natural devido ao uso
- Montagem ou preparação incorreta pelo comprador ou por terceiros
- Modificações técnicas
- Modificações não autorizadas e/ou utilização de peças sobressalentes desadequadas

2 Segurança

2.1 Informações gerais de segurança



ADVERTÊNCIA!

Risco de lesão grave ou danos

A utilização incorreta deste produto pode causar lesões ou danos.

- Se não compreender as advertências, avisos ou instruções, contacte um profissional de cuidados de saúde ou o fornecedor antes de tentar utilizar este equipamento.
- Não utilize este produto ou qualquer equipamento opcional disponível sem primeiro ler e compreender estas instruções e todo o material de instrução adicional, assim como os manuais de utilização, os manuais de assistência ou os folhetos de instruções fornecidos com este produto ou com equipamento opcional.



ADVERTÊNCIA!

Risco de lesão grave

A utilização incorreta do produto pode resultar em situações perigosas.

- Não utilize o produto em escadas normais ou em escadas rolantes.
- Não se coloque de pé em cima do produto.
- Tenha cuidado ao caminhar em superfícies inclinadas, escorregadias ou irregulares.
- Evite caminhar na direção de obstáculos, tanto para trás como para a frente.
- Não deixe as crianças brincarem com o produto
- Não se sente na barra transversal nem utilize a barra transversal como apoio.



ADVERTÊNCIA!

Risco de lesões

Uma carga desequilibrada ou pesada pode levar à capotagem.

- Não pendure quaisquer cargas, como sacos, no chassis.



ATENÇÃO!

Risco de lesão

Peças não originais ou incorretas podem afetar o funcionamento e a segurança do produto.

- Utilize apenas peças originais para o produto em utilização.
- Devido a diferenças regionais, consulte o site ou o catálogo local da Invacare para obter informações sobre as opções disponíveis ou contacte o seu representante local da Invacare. Consulte os endereços no final deste documento.



ATENÇÃO!

Risco de queimaduras de primeiro grau

As peças do produto podem aquecer quando são expostas a temperaturas elevadas (acima de 41 °C).

- Tenha cuidado se o produto for exposto a altas temperaturas, por exemplo, a luz solar direta.



IMPORTANTE!

Existe o risco de danos devido a desgaste, por exemplo, corrosão.

- Não utilize o produto debaixo de água, por exemplo, em piscinas.
- Não utilize o produto em áreas quentes como saunas.
- Não armazene o produto em ambientes húmidos ou molhados.

3 Descrição geral do produto

3.1 Utilização prevista

O acessório de marcha destina-se a apoiar uma pessoa durante a marcha.

O acessório de marcha é adequado para utilização em interiores e exteriores em terreno plano.

O utilizador previsto é um adulto com o peso máximo indicado na etiqueta do produto e no capítulo 7 *Características Técnicas*, página 39.

3.2 Indicações de utilização

Indicações

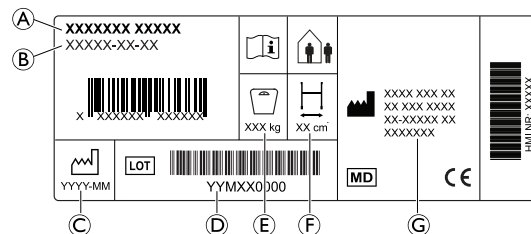
Pessoas com pouca força muscular e/ou equilíbrio, que precisam de apoio adicional durante a marcha. A capacidade de marcha restante e a faculdade cognitiva têm de ser suficientes para uma utilização segura de um acessório de marcha.

Contraindicações

Pessoas com problemas de equilíbrio graves ou perturbações funcionais da perceção.

3.3 Etiquetas e símbolos no produto

Placa de características



A Nome do produto

B Número de peça

C Data de fabrico

D Número do LOTE

E Peso máximo do utilizador

F Largura máxima

G Morada do fabricante

Símbolos

	Conformidade Europeia		Dispositivo médico
	Fabricante		Ler o manual de utilização
	Data de fabrico		Número de LOTE
	Largura máxima		Peso máximo do utilizador
	Utilização no interior/exterior		

4 Utilização

4.1 Antes da utilização



ATENÇÃO!

Risco de lesões ou danos materiais

- Antes da utilização, verifique a funcionalidade geral do produto.
- Antes da utilização, verifique se o produto apresenta algum defeito.
- Não utilize um produto defeituoso.

A Invacare presume que um profissional de cuidados de saúde fez uma avaliação individual do utilizador para determinar o nível de risco ou os requisitos terapêuticos. Os fornecedores e os prestadores de cuidados avaliaram que o produto fornece o apoio necessário e que os seus ajustes são adequados para o utilizador. O prestador de cuidados e o utilizador foram devidamente formados por um profissional de cuidados de saúde sobre como utilizar o produto de forma correta e segura.

4.2 Ajuste da altura



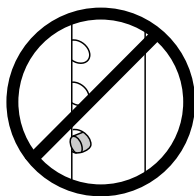
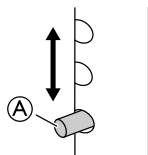
Altura recomendada

- Os manípulos devem ficar posicionados à altura do pulso quando o utilizador está de pé e direito, com os braços relaxados. O terapeuta poderá sugerir alturas diferentes conforme as necessidades específicas do cliente.



Desconforto/lesões ligeiras

- Tenha cuidado para evitar o risco de trilhamento.



1. Prima o botão de fecho **A**.
2. Mova a extensão para cima ou para baixo até obter a altura pretendida.
3. Faça com que o botão de fecho **A** se encaixe no orifício seguinte. Certifique-se de que o botão está completamente engatado com um estalido audível.

4.3 Marcha

1. Posicione-se de pé entre os dois chassis laterais e coloque as duas mãos nos manípulos.
2. Sem alterar a sua posição, desloque/deslize o acessório de marcha para a frente.
3. Dê um passo em frente, enquanto mantém o acessório de marcha fixo.

4.4 Utilizar as extensões das pernas



ADVERTÊNCIA!

Risco de queda

- Quando utilizar encaixes com rodas nas pernas dianteiras, as extensões das pernas traseiras têm de ser ajustadas de modo a nivelar as armações laterais.
- Quando aplicável, as extensões das pernas com rodas têm de ser instaladas com as rodas no lado exterior do andarilho.



Para obter mais informações, consulte a secção "Ajuste da altura".

5 Manutenção

5.1 Informações gerais sobre manutenção



ADVERTÊNCIA!

Risco de lesões

- O procedimento de manutenção deve ser realizado pelo menos uma vez por ano.
- Não utilize um produto defeituoso.
- Não tente reparar o produto. Em caso de necessidade de reparação, contacte o seu fornecedor.

5.2 Lista de verificação da inspeção

Para garantir um bom desempenho e a segurança do produto, inspecione-o regularmente.

- Certifique-se de que todos os parafusos e ajustes estão bem apertados. (Se aplicável)
- Certifique-se de que as pegas estão apertadas. Se as pegas estiverem soltas, não utilizar o acessório de marcha. As instruções sobre como substituir as pegas podem ser obtidas junto do seu fornecedor ou distribuidor Invacare.
- Verifique o chassis e as peças carregadas quanto a fissuras.
- Verifique se as rodas estão bem ajustadas ou se apresentam desgaste e danos. (Se aplicável)
- Assegurar que as rodas não apresentam cabelos, algodão e outros resíduos. (Se aplicável)
- Assegure que as extremidades de borracha e/ou as pontas de deslizamento de plástico não estão rasgadas, desgastadas ou em falta. (Se aplicável)

5.3 Limpeza e desinfeção

Informações gerais de segurança



ATENÇÃO!

Risco de contaminação

- Tome precauções pessoais e utilize equipamento de proteção apropriado.



IMPORTANTE!

- Métodos ou fluidos errados podem prejudicar ou danificar o produto.
- Todos os agentes de limpeza e desinfetantes utilizados devem ser eficazes, compatíveis entre si e passíveis de proteger os materiais aos quais são aplicados para limpeza.
- Nunca utilize líquidos corrosivos (alcalinos, ácidos, etc.) ou agentes de limpeza abrasivos. Recomendamos um agente de limpeza doméstico normal, como detergente da loiça, se não houver especificações em contrário nas instruções de limpeza.
- Nunca utilize um solvente (diluyente celulósico, acetona, etc.) que altere a estrutura do plástico ou dissolva as etiquetas afixadas.
- Certifique-se sempre de que o produto está completamente seco antes de o pôr novamente em funcionamento.



Para a limpeza e desinfeção em ambientes de cuidados clínicos ou de longa duração, siga os procedimentos internos.

Intervalos de limpeza

! IMPORTANTE!

A limpeza e a desinfeção regulares melhoram o funcionamento correto, aumentam a vida útil e evitam a contaminação.

Limpe e desinfete o produto

- regularmente enquanto está a ser utilizado,
- antes e depois de qualquer operação de assistência,
- depois de ter estado em contacto com quaisquer fluidos corporais
- e antes da sua utilização por um novo utilizador.

Instruções de limpeza

O produto pode ser lavado numa máquina de lavar ou à mão.


Ao utilizar um líquido de limpeza a alta pressão ou um jato de água normal, não aponte o jato para os rolamentos, os orifícios de drenagem ou as etiquetas.

A temperatura máxima de limpeza é de 60 °C. Não utilize um aparelho de limpeza a vapor.

1. Limpe o acessório de marcha com um pano húmido e um detergente suave.
2. Limpe as rodas com uma escova (não utilize uma escova metálica).
3. Após lavar, seque o produto.

Desinfeção

- Limpe todas as superfícies geralmente acessíveis com desinfetante.

 Pode encontrar informações sobre os desinfetantes e os métodos recomendados em <https://vah-online.de/en/for-users>.

6 Após a utilização

6.1 Eliminação

Seja amigo do ambiente e recicle este produto no fim da respetiva vida útil através das instalações de reciclagem existentes.

Desmonte o produto e os seus componentes, para que os diferentes materiais possam ser separados e reciclados individualmente.

A eliminação e a reciclagem de produtos utilizados e da embalagem devem cumprir as leis e os regulamentos relativos à gestão de resíduos de cada país. Para obter informações, contacte a empresa de gestão de resíduos local.

6.2 Recondicionamento

Este produto é adequado para reutilização. Para o recondicionamento do produto para um novo utilizador, execute as seguintes ações:

- Inspeção
- Limpeza e desinfeção

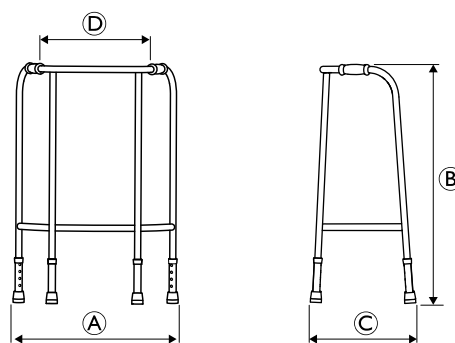
Para obter informações detalhadas, consulte a secção 5 *Manutenção, página 38*.

Certifique-se de que o manual de utilização é fornecido com o produto.

Se forem detetados danos ou avarias, não reutilize o produto.

7 Características Técnicas

7.1 Dimensões e pesos



	Escort P435B
Largura total A	620–630 mm
Altura total B	770–850 mm
Profundidade total C	390–400 mm
Largura entre manípulos D	360 mm
Peso	2,0 kg
Peso máximo do utilizador	130 kg

Todas as dimensões estão sujeitas a determinadas tolerâncias.

7.2 Material

Estrutura	Alumínio anodizado
Pegas	TPE
Rodas	Polipropileno com revestimentos de PVC
Parafusos	Aço com proteção antiferrugem

1 Bendroji informacija

1.1 Įvadas

Šiame naudotojo vadove pateikiama svarbi gaminio naudojimo informacija. Tam, kad naudojant produktą būtų užtikrinamas saugumas, atidžiai perskaitykite naudotojo vadovą ir laikykitės saugos instrukcijų.

„Invacare“ pasilieka teisę be išankstinio įspėjimo pakeisti produktų specifikacijas.

Prieš skaitydami šį dokumentą įsitinkite, kad turite naujausią jo versiją. Naujausią jo versiją PDF formatu galite rasti „Invacare“ interneto svetainėje.

Jeigu atspausdintą dokumentą sunku skaityti dėl šrifto dydžio, atsisiųskite versiją PDF formatu iš interneto svetainės. Tuomet ekrane galėsite padidinti PDF failo šrifto dydį taip, kad jums būtų patogiau skaityti.

Jei naudojant produktą įvyksta pavojingas incidentas, praneškite apie tai gamintojui ir kompetentingai institucijai savo šalyje.

1.2 Šiame vadove naudojami simboliai

Šiame naudotojo vadove pateikiami įspėjimai, pažymėti simboliais. Šalia įspėjamojo simbolio pateikiama antraštė nurodo pavojaus lygį.

**ĮSPĖJIMAS**

Nurodo pavojingą situaciją, kurios neišvengus galima sunki trauma ar net mirtis.

**PERSPĖJIMAS**

Nurodo pavojingą situaciją, kurios neišvengus galima nedidelė trauma.

**SVARBU**

Nurodo pavojingą situaciją, kurios neišvengus galima žala nuosavybei.

**Patarimai ir rekomendacijos**

Naudingi patarimai, rekomendacijos ir informacija, kaip efektyviai ir patogiai naudoti gaminį.

1.3 Atitiktis

Įmonės veikimui svarbiausia yra kokybė, kai dirbama su ISO 13485 disciplinomis.

Gaminys pažymėtas CE ženklu, jis atitinka Medicinos prietaisų reglamente 2017/745 pateiktus I klasės reikalavimus. Gaminio pateikimo rinkai data nurodyta CE atitikties deklaracijoje.

Mes nuolat dirbame siekdami užtikrinti, kad įmonės poveikis aplinkai vietos ir pasaulio mastu būtų sumažintas iki mažiausio.

Naudojame tik REACH direktyvą atitinkančias medžiagas ir komponentus.

1.4 Eksploatacijos trukmė

Tikėtina šio gaminio eksploatacijos trukmė yra penkeri metai, kai gaminys naudojamas kasdien laikantis saugos instrukcijų, techninės priežiūros darbų plano ir priežiūros instrukcijų, aprašytų šiame vadove. Eksploatacijos trukmė priklauso nuo naudojimo dažnumo ir intensyvumo.

1.5 Garantijos informacija

Produktui suteikiama gamintojo garantija, remiantis atitinkamų šalių bendrosiomis verslo nuostatomis ir sąlygomis.

Garantijos reikalavimus pateikti galima tik per tiekėją, iš kurio įsigytas produktas.

1.6 Atsakomybės ribojimas

„Invacare“ neprisima atsakomybės dėl žalos, atsiradusios dėl:

- naudotojo vadovo nurodymų nesilaikymo;
- netinkamo naudojimo;
- natūralaus nusidėvėjimo ir plyšimo;
- neteisingo sumontavimo arba surinkimo, kurį atliko pirkėjas arba trečioji šalis;
- techninių modifikacijų;
- neįgaliotųjų modifikacijų ir / arba netinkamų atsarginių dalių naudojimo.

2 Sauga

2.1 Bendroji saugos informacija

**DĖMESIO!**

Sunkaus sužalojimo arba sugadinimo pavojus
Netinkamai naudojant šį gaminį kyla pavojus susižaloti arba sugadinti įrangą.

- Jei negalite suprasti įspėjimų, perspėjimų ar instrukcijų, prieš bandydami naudotis šia įranga susisiekite su sveikatos priežiūros specialistu ar paslaugų teikėju.
- Nenaudokite šio produkto ar kitos prieinamos pasirinktinės įrangos, kol iki galo neperskaitėte ir nesupratote šių instrukcijų ir papildomų dokumentų, tokių kaip naudotojo vadovas, aptarnavimo vadovai ar instrukcijų lapai, pateikti su šiuo produktu ar papildoma įranga.

**DĖMESIO!**

Pavojus sunkiai susižaloti

Netinkamai naudojant gali kilti pavojingų situacijų.

- Nenaudokite gaminio ant laiptų ar eskalatorių.
- Nestovėkite ant šio gaminio.
- Esant nuolydžiui, slidžiam arba nelygiam paviršiui vaikščiokite atsargiai.
- Neikite per kliūtis, nei į priekį, nei atbulomis.
- Neleiskite su gaminiumi žaisti vaikams
- Nesėdėkite ant skersinio ir nenaudokite skersinio kaip atramos.

**DĖMESIO!**

Pavojus susižaloti

Dėl nesubalansuotos arba didelės apkrovos galima apsisversti

- Ant rėmo nekabinkite jokių svorių, tokių kaip krepšiai.

**ATSARGIAI!**

Pavojus susižaloti

Neoriginalios arba netinkamos dalys gali turėti įtakos šio gaminio veikimui ir saugai.

- Naudokite tik šiam gaminiui skirtas originalias dalis.
- Kadangi esama regioninių skirtumų, informacijos apie galimus variantus ieškokite vietiniame „Invacare“ kataloge ar interneto svetainėje arba susisiekite su vietiniu „Invacare“ atstovu. Žr. šio dokumento pabaigoje nurodytus adresus.

**ATSARGIAI!**

Pirmojo laipsnio nudegimo rizika

Aukštoje temperatūroje (virš 41 °C) gaminio dalys gali įkaisti.

- Būkite atsargūs, jeigu gaminys buvo paliktas aukštoje temperatūroje, pvz., tiesioginėje saulėkaitoje.

**SVARBU!**

Dėl nusidėvėjimo, pvz., korozijos, galimi apgadinimai.

- Nenaudokite gaminio po vandeniu, pvz., baseine.
- Nenaudokite gaminio ten, kur karšta, pvz., saunoje.
- Nelaikykite gaminio ten, kur šlapia arba drėgna.

3 Gaminio apžvalga

3.1 Naudojimo paskirtis

Vaikštyinė yra skirta prisilaikyti vaikštant.

Vaikštyinė tinka naudoti patalpose ir lauke, ant lygaus paviršiaus.

Numatytasis naudotojas yra suaugęs asmuo, kurio maksimalus svoris nurodytas gaminio etiketėje ir skyriuje 7 *Techniniai Duomenys*, 43. psl.

3.2 Naudojimo indikacijos

Indikacijos

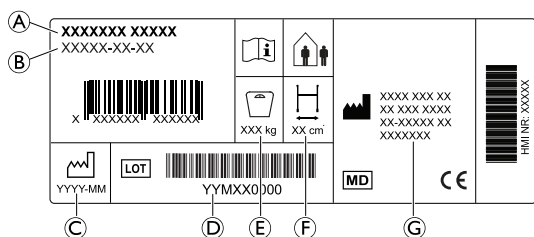
Asmenys, kurių susilpnėję raumenys ir (arba) sutrikusi pusiausvyrą ir kuriems vaikštant reikia papildomos atramos. Norint saugiai naudotis vaikštyne būtini pakankamai likę vaikščiojimo ir pažintiniai gebėjimai.

Kontraindikacijos

Asmenys su rimtais pusiausvyros sutrikimais arba funkciniais suvokimo sutrikimais.

3.3 Ant gaminio esančios etiketės ir simboliai

Identifikavimo etiketė



- Ⓐ Gaminio pavadinimas
- Ⓑ Dalies numeris
- Ⓒ Pagaminimo data
- Ⓓ Partijos numeris
- Ⓔ Maksimalus naudotojo svoris
- Ⓕ Maksimalus plotis
- Ⓖ Gamintojo adresas

Simboliai

	Europinė atitiktis		Medicinos priemonė
	Gamintojas		Skaitykite naudotojo vadovą
	Pagaminimo data		Partijos numeris
	Maksimalus plotis		Maksimalus naudotojo svoris
	Naudojimas patalpoje / lauke		

4 Naudojimas

4.1 Prieš naudodami



ATSARGIAI!

Susižalojimo arba turto apgadavimo rizika

- Prieš naudojimą patikrinkite bendrąjį gaminio veikimą.
- Prieš naudojimą patikrinkite, ar nėra gaminio defektų.
- Gaminio su defektais nenaudokite.

„Invacare“ remiasi prielaida, kad sveikatos priežiūros specialistas individualiai įvertino naudotoją, kad nustatytų rizikos lygį ar terapijos reikalavimus. Tiekėjai ir slaugytojai nustatė, kad gaminys užtikrina reikiamą atramą ir kad jis sureguliuotas taip, kaip tinka naudotojui. Sveikatos priežiūros specialistai tinkamai apmokė slaugytoją ir naudotoją, kaip tinkamai ir saugiai naudotis šiuo gaminiu.

4.2 Aukščio reguliavimas



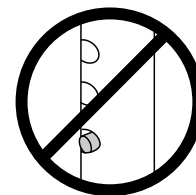
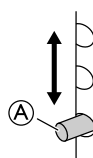
Rekomenduojamas aukštis

- Rankenos turi būti riešų aukštyje stovint tiesiai, atsipalaidavus rankas. Gydytojas gali pasiūlyti kitą aukštį atsižvelgdamas į kliento poreikius.



Diskomfortas ar smulkios traumos

- Dėmesio, sugnybimo pavojus.



1. Paspauskite spaustuką Ⓐ.
2. Slinkite ilgintuvą aukštin arba žemyn, kol pasieksite pageidaujimą aukštį.
3. Spaustukas Ⓐ turi spragtelėti į kitą angą. Įsitinkite, kad spaustukas su girdimu spragtelėjimu užsifikuotų savo vietoje.

4.3 Vaikščiojimas

1. Atsistokite tarp dviejų šoninių rėmų ir abiem rankomis įsikabinkite į rankenas.
2. Ramiai stovėdami perkelkite / pastumkite vaikštynę pirmyn.
3. Ženkite žingsnį pirmyn, tuo pat metu laikydami vaikštynę toje pačioje vietoje.

4.4 Kojelių ilgintuvų naudojimas



DĖMESIO!

Pavojus nukristi

- Ant priekinių kojelių pritvirtintus ratukus, užpakalinių kojelių ilgintuvai turi būti sureguliuoti taip, kad šoniniai rėmai būtų lygioje padėtyje.
- Jeigu reikia, kojelių ilgintuvus su ratukais būtina sumontuoti taip, kad ratukai būtų vaikščiojimo rėmo išorėje.



Norėdami daugiau informacijos, žr. skyrių "Aukščio reguliavimas".

5 Techninė priežiūra

5.1 Bendroji priežiūros informacija



DĖMESIO!

Pavojus susižaloti

- Techninė priežiūra turi būti atliekama mažiausiai kartą per metus.
- Gaminio su defektais nenaudokite.
- Nebandykite taisyti patys. Dėl taisymo kreipkitės į tiekėją.

5.2 Tikrinimo kontrolinis sąrašas

Gaminį reguliariai tikrinkite, kad nenukentėtų jo eksploatacinės savybės ir saugumas.

- Patikrinkite, ar gerai užveržti visi varžtai ir reguliuojamos dalys. (Jei taikytina)
- Patikrinkite, ar neatsilaisvinusios rankenos. Jei rankenos kliba, vaikštytynės nenaudokite. Instrukcijų, kaip keisti rankenas, galite teirautis tiekėjo arba „Invacare“ platintojo.
- Patikrinkite, ar nėra įtrūkimų rėme ir dalyse, kurias veikia apkrova.
- Patikrinkite, ar gerai pritvirtinti, nesusidėvėję ir neapgadinti ratai. (Jei taikytina)
- Įsitikinkite, kad ant ratukų nėra plaukų, pūkelių ir kitokių apnašų. (Jei taikytina)
- Patikrinkite, ar nesuire, nesusidėvėję ir nenukritę guminiai antgaliai ir (arba) plastikiniai slystukai. (Jei taikytina)

5.3 Valymas ir dezinfekavimas

Bendroji saugos informacija



ATSARGIAI!

Užteršimo rizika

- Įmkitės atsargumo priemonių ir naudokite tinkamas apsaugos priemones.



SVARBU!

- Valant netinkamais skysčiais ar netinkamu būdu galima pažeisti arba sugadinti gaminį.
- Visos naudojamos valymo priemonės ir dezinfekantai turi būti veiksmingi, suderinami vienas su kitu ir nekenkti valomoms medžiagoms.
- Nenaudokite korozinių skysčių (šarmų, rūgšties ir pan.) arba abrazyvinių valymo priemonių. Jei valymo instrukcijose nenurodyta kitaip, rekomenduojame naudoti paprastą buitinę valymo priemonę, pvz., indų plovimo skystį.
- Nenaudokite tirpiklių (celiuliozės skiediklio, acetono ir pan.), kurie gali pakeisti plastiko struktūrą arba ištirpdyti priklijuotas etiketes.
- Prieš pakartotinai naudodami gaminį atidžiai patikrinkite, ar jis visiškai sausas.



Jei reikia valyti ir dezinfekuoti klinikinėje ar ilgalaikės priežiūros aplinkoje, vadovaukitės vidaus procedūromis.

Valymo intervalai



SVARBU!

Reguliariai valant ir dezinfekuojant užtikrinamas sklandus veikimas, padidinama eksploataavimo trukmė ir apsaugoma nuo užteršimo.

Valykite ir dezinfekuokite gaminį

- reguliariai, kai jis naudojamas,
- prieš ir po bet kokios techninės priežiūros procedūros,
- kai jis buvo susilietęs su kūno skysčiais,
- prieš naudodami jį naujam naudotojui.

Valymo instrukcijos

Gaminį galima skalbti skalbyklėje arba rankomis.

Jeigu plaunate aukšto slėgio valymo įrenginiu arba įprasta vandens srove, srovės nenukreipkite į guolius, nuotėkio angas ar etiketes.

Maksimali plovimo temperatūra – 60 °C. Nenaudokite valymo garais aparato.

1. Vaikštytynę nušluostykite drėgna šluoste ir švelniu plovikliu.
2. Ratus valykite šepečiu (bet ne vieliniu šepečiu).
3. Nuvalę gaminį nusauskite.

Dezinfekavimas

- Visus bendrai prieinamus paviršius nušluostykite su dezinfekavimo priemone.



Informacija apie rekomenduojamas dezinfekavimo priemones ir metodus pateikiama interneto svetainėje <https://vah-online.de/en/for-users>.

6 Po naudojimo

6.1 Išmetimas

Tausokite aplinką ir pasibaigus šio gaminio eksploatacijai atiduokite jį perdirbti perdirbimo įmonei.

Išardykite gaminį ir jo dalis, kad galėtumėte atskirti skirtingas medžiagas ir jas būtų galima atskirai perdirbti.

Panaudoti gaminiai ir pakuotės turi būti išmetami ir perdirbami laikantis konkrečioje šalyje galiojančių atliekų apdorojimo teisės aktų ir taisyklių. Norėdami gauti daugiau informacijos, kreipkitės į vietos atliekų tvarkymo įmonę.

6.2 Atnaujinimas

Gaminys gali būti naudojamas pakartotinai. Atnaujinkite gaminį kitam naudotojui atlikdami toliau nurodytus veiksmus:

- Tikrinimas
- Valymas ir dezinfekavimas

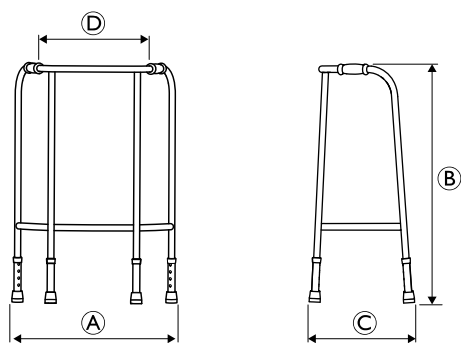
Norėdami gauti išsamios informacijos, žr. skyrių 5 *Techninė priežiūra*, 42. psl.

Pasirūpinkite, kad perduodant gaminį kitam naudotojui, naudotojo vadovas taip pat būtų perduodamas.

Jei aptinkama kokių nors pažeidimų ar gedimų, gaminio pakartotinai nenaudokite.

7 Techniniai Duomenys

7.1 Matmenys ir svoris



	„Escort P435B“
Bendrasis plotis (A)	620–630 mm
Bendrasis aukštis (B)	770–850 mm
Bendrasis gylis (C)	390–400 mm
Atstumas tarp rankenų (D)	360 mm
svoris	2.0 kg
Maks. naudotojo svoris	130 kg

Visiems matmenims būdingas tam tikras leistinasis nuokrypis.

7.2 Medžiaga

Rėmas	Anoduotasis aliuminis
Rankenos	TPE
Ratukai	Polipropenas su termoplastinio elastomero protektoriumi
Varžtai	Nerūdijantis plienas

Invacare Distributors

Belgium & Luxemburg:

Invacare nv
Autobaan 22
B-8210 Loppem
Tel: (32) (0)50 83 10 10
Fax: (32) (0)50 83 10 11
belgium@invacare.com
www.invacare.be

Danmark:

Invacare A/S
Sdr. Ringvej 37
DK-2605 Brøndby
Tel: (45) (0)36 90 00 00
Fax: (45) (0)36 90 00 01
denmark@invacare.com
www.invacare.dk

Deutschland:

Invacare GmbH,
Alemannenstraße 10
D-88316 Isny
Tel: (49) (0)7562 700 0
kontakt@invacare.com
www.invacare.de

España:

Invacare SA
Avda. Del Oeste n.50, 1ª, 1ª
Valencia-46001
Tel: (34) (0)972 49 32 14
contactsp@invacare.com
www.invacare.es

Eastern Europe, Middle East & CIS:

Invacare EU Export
Alemannenstraße 10
D-88316 Isny
Tel: (49) (0)7562 700 397
eu-export@invacare.com
www.invacare-eu-export.com

France:

Invacare Poirier SAS
Route de St Roch
F-37230 Fondettes
Tel: (33) (0)2 47 62 64 66
Fax: (33) (0)2 47 42 12 24
contactfr@invacare.com
www.invacare.fr

Ireland:

Invacare Ireland Ltd,
Unit 5 Seatown Business Campus
Seatown Road, Swords, County Dublin
Tel : (353) 1 810 7084
Fax: (353) 1 810 7085
ireland@invacare.com
www.invacare.ie

Italia:

Invacare Mecc San s.r.l.,
Via dei Pini 62,
I-36016 Thiene (VI)
Tel: (39) 0445 38 00 59
Fax: (39) 0445 38 00 34
italia@invacare.com
www.invacare.it

Nederland:

Invacare BV
Galvanistraat 14-3
NL-6716 AE Ede
Tel: (31) (0)318 695 757
Fax: (31) (0)318 695 758
nederland@invacare.com
www.invacare.nl

Norge:

Invacare AS
Grensesvingen 9, Postboks 6230,
Etterstad
N-0603 Oslo
Tel: (47) (0)22 57 95 00
Fax: (47) (0)22 57 95 01
norway@invacare.com
www.invacare.no

Österreich:

Invacare Austria GmbH
Herzog-Odilo-Straße 101
A-5310 Mondsee-Tiefgraben
Tel: (43) 6232 5535 0
Fax: (43) 6232 5535 4
info-austria@invacare.com
www.invacare.at

Portugal:

Invacare Lda
Rua Estrada Velha, 949
P-4465-784 Leça do Balio
Tel: (351) (0)225 1059 46/47
Fax: (351) (0)225 1057 39
portugal@invacare.com
www.invacare.pt

Sverige:

Invacare AB
Fagerstagatan 9
S-163 53 Spånga
Tel: (46) (0)8 761 70 90
Fax: (46) (0)8 761 81 08
sweden@invacare.com
www.invacare.se

Suomi:

Camp Mobility
Patamäenkatu 5, 33900 Tampere
Puhelin 09-35076310
info@campmobility.fi
www.campmobility.fi

Schweiz / Suisse / Svizzera:

Invacare AG
Benkenstrasse 260
CH-4108 Witterswil
Tel: (41) (0)61 487 70 80
Fax: (41) (0)61 487 70 81
switzerland@invacare.com
www.invacare.ch

United Kingdom:

Invacare Limited
Pencoed Technology Park, Pencoed
Bridgend CF35 5AQ
Tel: (44) (0) 1656 776 222
Fax: (44) (0) 1656 776 220
uk@invacare.com
www.invacare.co.uk

© 2019 Invacare Corporation.
All rights reserved. Republication,
duplication or modification in whole
or in part is prohibited without prior
written permission from Invacare.
Trademarks are identified by ™ and
®. All trademarks are owned by or
licensed to Invacare Corporation or its
subsidiaries unless otherwise noted.



Invacare Rea AB
Växjövägen 303
SE-343 71 Diö
Sweden

